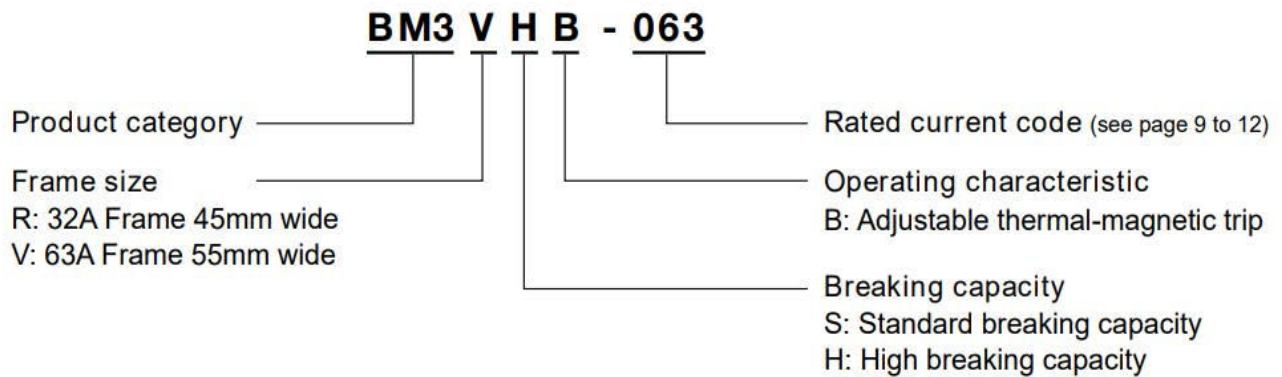


Fuji Electric Manual Motor Starters Series

Product Line BM3



BM3R 32A Frame Size

- Dimensions: 45 X 90 X 66 mm
- SCCR: 22kA at 480VAC
- Standard and High Breaking Capacity
- Handles: Rocker & Rotary
- Accessories are easily mounted
- IP20 terminal covers

BM3V 63A Frame Size

- Dimensions: 55 X 110 X 96 mm
- SCCR: 50kA at 480VAC
- Standard and High Breaking Capacity
- Handles: Rotary
- Accessories are easily mounted
- IP20 terminal covers

More Information

Combination of

- Circuit Breaker
- Short-Circuit protection
- Overcurrent protection
- Line Protection

Thermal Overload

- Overload protection
- Phase-loss protection
- Rated current adjustments
- Ambient temperature compensation

Advantages

- Compactness
- Reduction in wiring work
- Standards include: UL508
CSA C22.2 No.14
- IEC 60947-1, 60947-2,
60947-4-1

Fuji Electric Corp. of America
47520 Westinghouse Drive
Fremont, CA 94539
Tech Support: (510) 403-7865
x-fea-dcgroup@fujielectric.com