

Fuji Electric **NEW IR** **Scan Terminal Covers**

Features & Benefits

Made with UL94 V-0 rated transparent plastic

Short terminal covers (less than 20mm added to height of breaker)

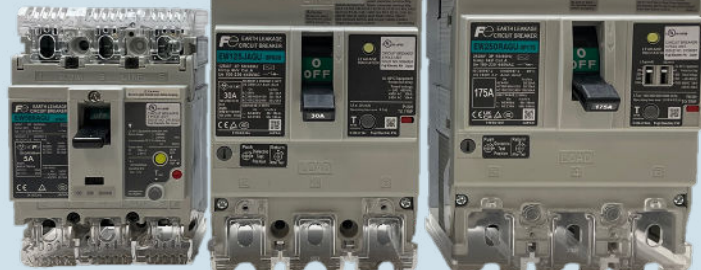
Holes added to front of cover for terminal IR scanning purposes

Available as a separate accessory or bundled with our UL listed MCCB's and ELCB's

Available for 50AF, 100AF, 125AF, and 250AF sizes



Lambda Series



G-TWIN Series

Part Number Structure Example

EW50RAGU-3P050K -OB795

Circuit breaker part number

*Code indicates addition of new terminal covers

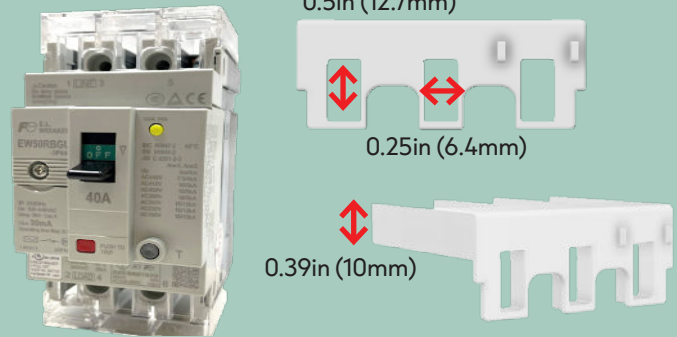
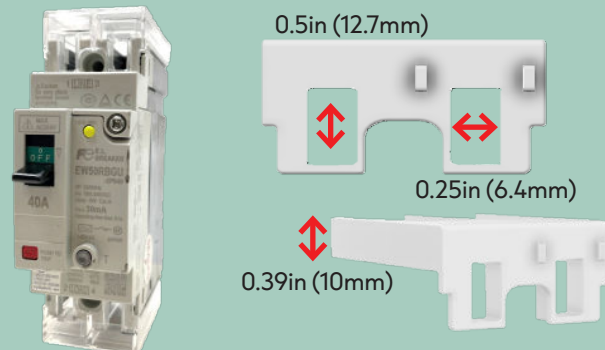
Part number structure for bundled product (circuit breaker + IR scan terminal cover)

*Add "-OB795" code to the end of our circuit breaker part numbers

Lambda Series 50AF

2-Pole

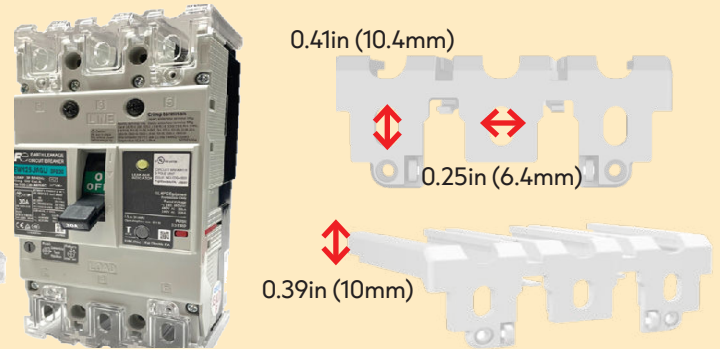
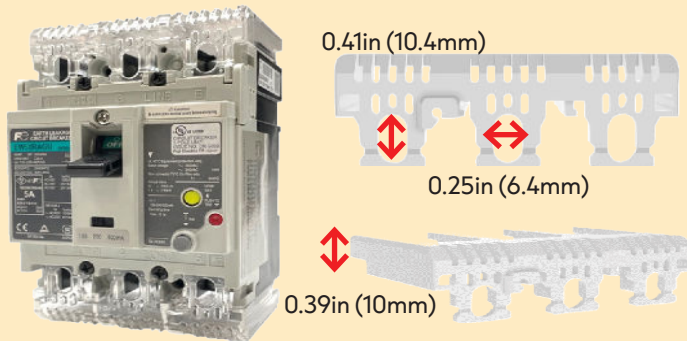
3-Pole



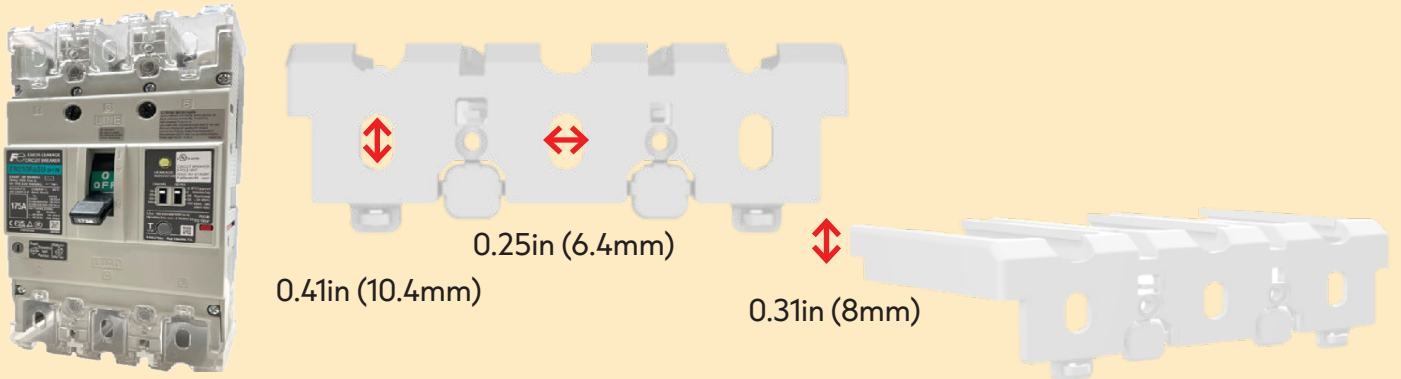
G-TWIN Series

50AF, 100AF

125AF



250AF



Fuji Electric Corp. of America

47520 Westinghouse Drive

Fremont, CA 94539

Phone: (510) 403-7860

Tech Support: (510) 403-7865