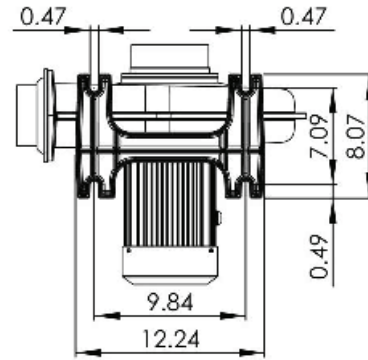
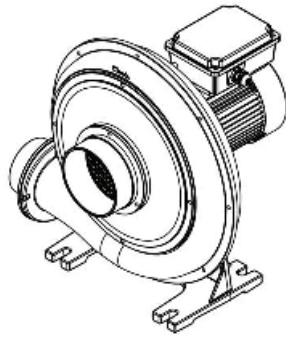
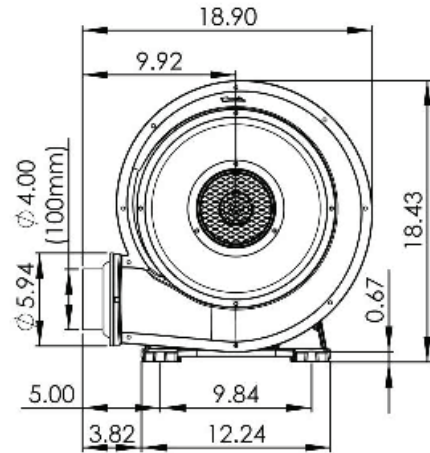
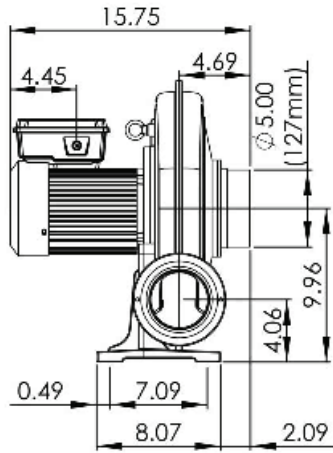


Direct Drive Turbo Blower



Unit: inches

Specifications

| | FDC-010P-5T |
|--------------------------------------|-------------|
| Phase | 1 |
| Voltage | 115/230 |
| Frequency (Hz) | 60 |
| Rated Output (HP) | 1.0 |
| Rated Current (Amps) | 11.9/5.9 |
| Max. Pressure (in. H ₂ O) | 9 |
| Max. Airflow (CFM) | 630 |
| In/Out (Inch) | 5 / 4 |
| Noise Level dB (A) | 80 |
| Weight (lbs.) | 49 |

Pressure

