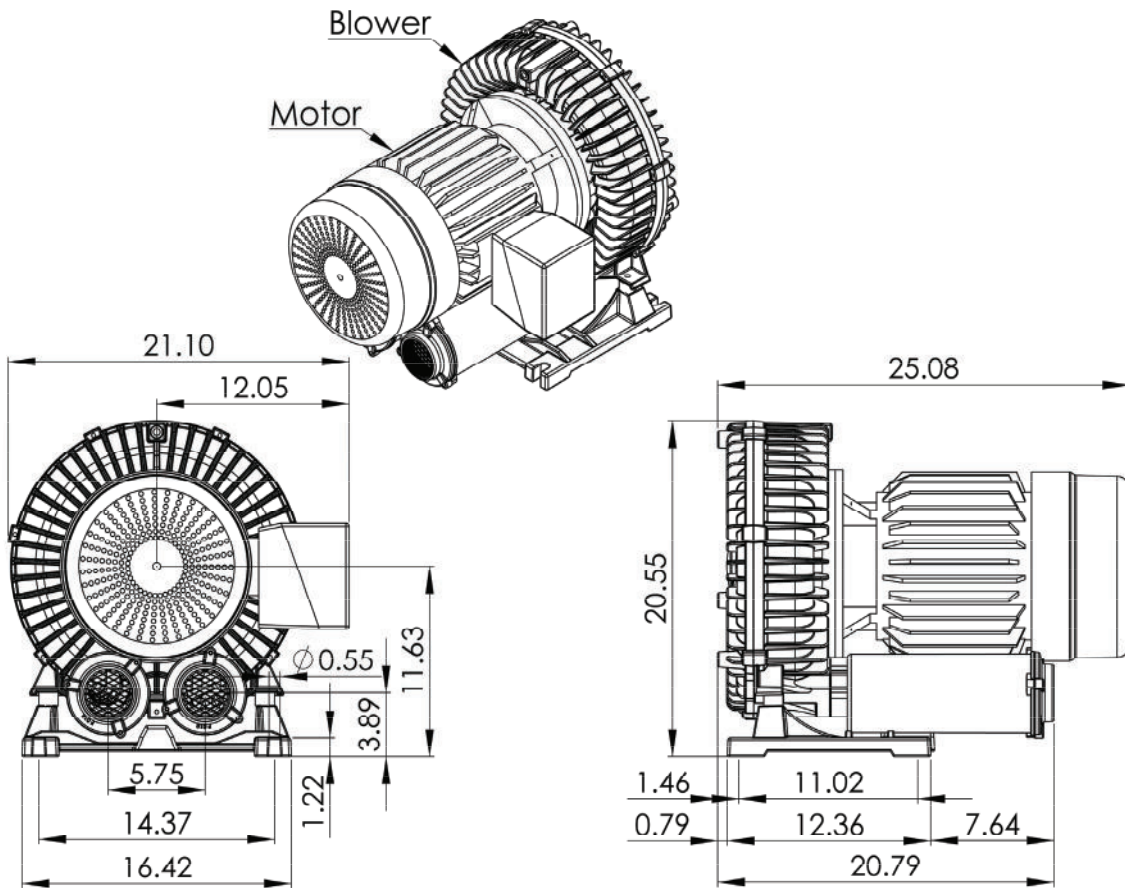


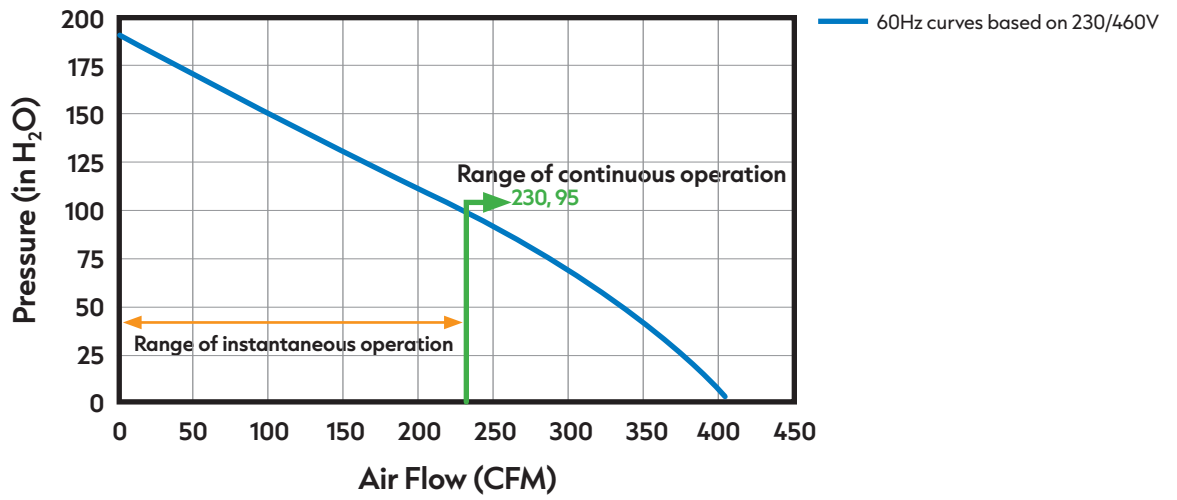
EXV1000-7W



Specifications

Model	Phase	Volatge (V)	Hz	Rated Output (kW)	Rated Current Amps	Max Press. in H ₂ O	Max Vacuum Pressure in H ₂ O	Max. Airflow CFM	In/Out PF	Noise Level dB (A)	Weight (kg)
EXV1000-7W	3	230/460V	60	8.6	29.5/14.8	191	130	406	2-1/2"	87	110

PQ Curve



Vacuum Curve

