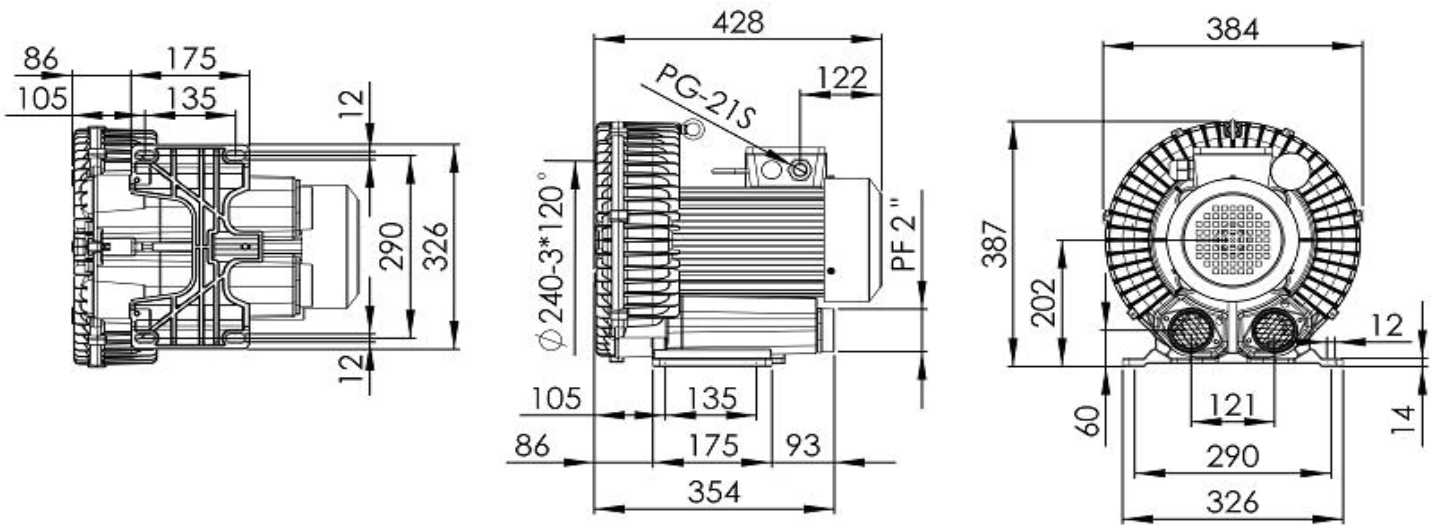
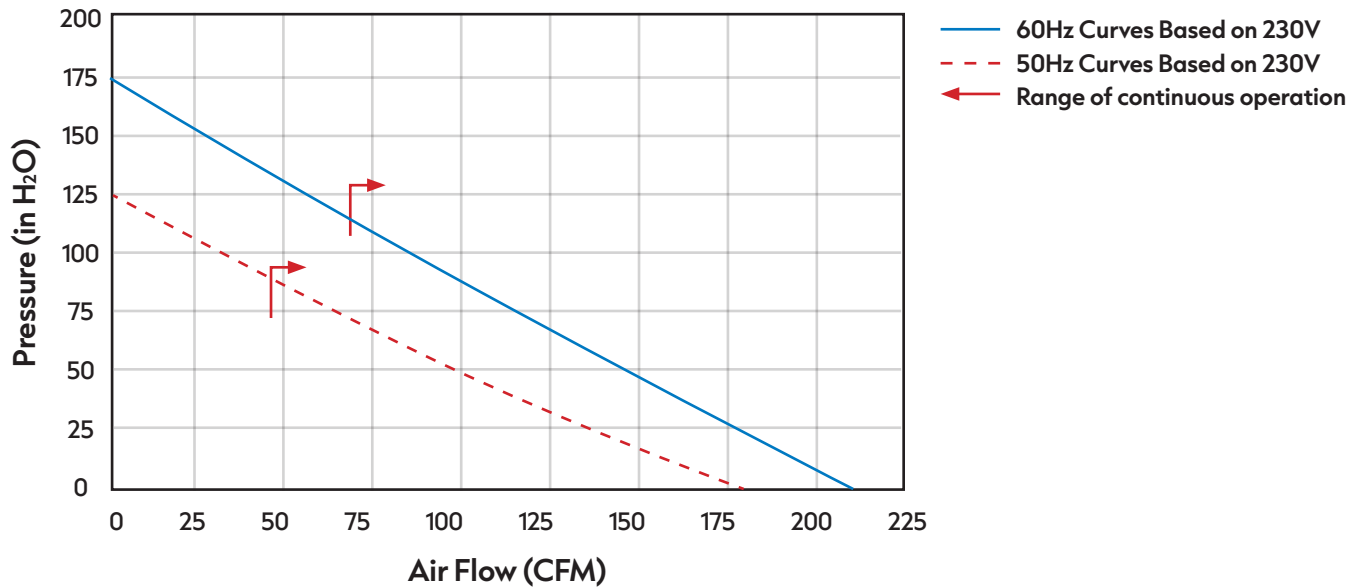


VFB600P-2T



PQ Curve



Specifications:

Blower

Model	Phase ϕ	Volatge (V)	Hz	Rated Output (HP)	Rated Current Amps	Max Press. in H ₂ O	Max. Airflow CFM	In/Out PF	Noise Level dB (A)	Weight (kg)
VFB600P-2T	1	230V	50	4.9	22.5	124	179	2"	75	40
			60	5.3	23.0	175	211		80	