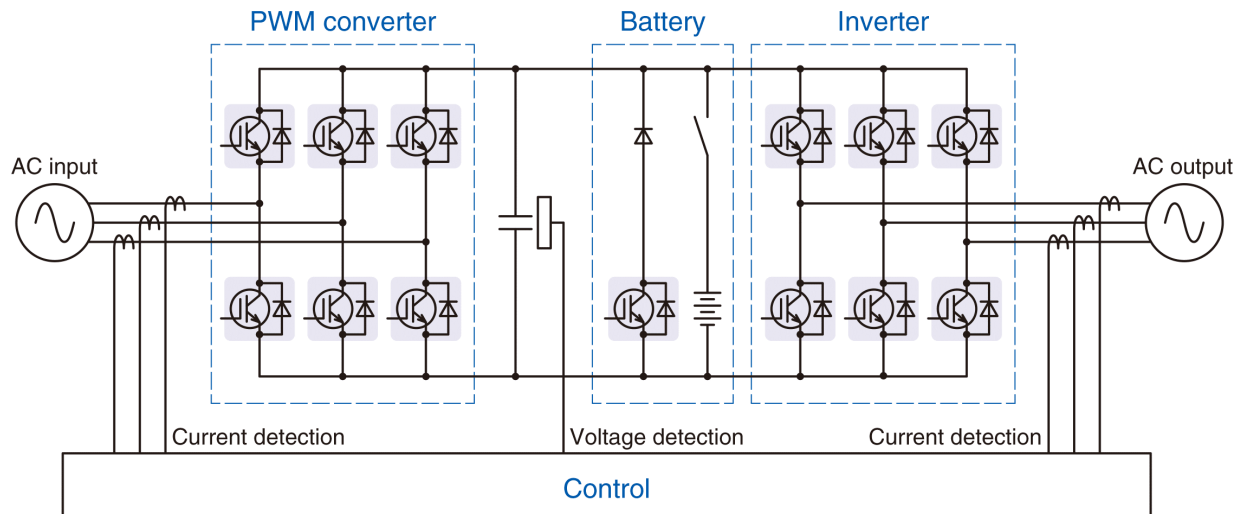


Reach the PINNACLE of Performance and Reliability

UPS

A UPS (Uninterruptible Power Supply) provides backup power during grid failure events or instantaneous voltage sags and surges, preventing and protecting power system damage and/or shutdown of computer systems, medical equipment, and other critical power applications in business, banks, hospitals, and municipal rescue operations. UPS systems come in several topologies, all consisting of a battery or other energy storage system and an IGBT or SiC-based DC converter and AC inverter to provide critical power when needed to maintain system operation. Fuji Electric provides a variety of IGBT & SiC options ideal for high-reliability and high-efficiency UPS systems.

Example



UPS

Recommended 600 V Device Products for UPSs



Inverters Rated Capacity	Device Rating	IGBT V Series				X Series		
		Discrete IGBT ×6p	PIM	6-pack	2-pack ×3p	Discrete IGBT ×6p	PIM	2-pack ×3p
3	600V/30A	FGW30N60VD	-	-	-	FGW30XS65C	-	-
5	600V/50A	FGW50N60H FGW50N60HC FGW50N60HD FGW50N60VD	-	-	-	FGW50XS65C FGW50XS65D	-	-
7.5	600V/75A	FGW75N60HC FGW75N60HD	-	-	-	FGW75XS65C FGW75XS65D	-	-
10	600V/100A	-	7MBR100VP060-50 7MBR100VB060-50	6MBI100VA-060-50 6MBI100VW-060-50	2MBI100VA-060-50	-	7MBR100XNA065-50 7MBR100XPE065-50 7MBR100XRA065-50 7MBR100XXA065-50 7MBR100XE065-50 7MBR100XZA065-50	-
15	600V/150A	-	7MBR150VR060-50 7MBR150VZ060-50	6MBI150VB-060-50 6MBI150VX-060-50	2MBI150VA-060-50	-	7MBR150XNA065-50 7MBR150XRA065-50 7MBR150XRE065-50 7MBR150XXA065-50 7MBR150XZA065-50	-
25	600V/200A	-	-	-	2MBI200VA-060-50	-	-	2MBI200XAA065-50
38	600V/300A	-	-	-	2MBI300VB-060-50	-	-	2MBI300XBE065-50
50	600V/400A	-	-	-	2MBI400VB-060-50 2MBI400VD-060-50	-	-	2MBI400XBE065-50 2MBI400XDE065-50
75	600V/600A	-	-	-	2MBI600VD-060-50 2MBI600VE-060-50	-	-	2MBI600XDE065-50 2MBI600XEE065-50
60	600V/200A	6MBP200VDA060-50 7MBP200VDA060-50 6MBP200VDN060-50 7MBP200VDN060-50 6MBP200VEA060-50 7MBP200VEA060-50	-	-	-	-	-	-

Recommended 1200 V Device Products for UPSs and Inverters

Inverters Rated Capacity	Device Rating	IGBT V Series		IGBT X Series	
		6-pack	2-pack ×3p	6-pack	2-pack ×3p
10	1200V/50A	6MBI50VA-120-50 6MBI50VW-120-50	-	-	-
15	1200V/75A	6MBI75VA-120-50 6MBI75VW-120-50	2MBI75VA-120-50	-	-
20	1200V/100A	6MBI100VA-120-50 6MBI100VB-120-50 6MBI100VW-120-50 6MBI100VX-120-50	2MBI100VA-120-50	6MBI100XAE120-50 6MBI100XBA120-50 6MBI100XXA120-50	2MBI100XAA120-50

Recommended 1200 V Device Products for UPSs and Inverters (Continued)

Inverters Rated Capacity	Device Rating	IGBT V Series		IGBT X Series	
		6-pack	2-pack ×3p	6-pack	2-pack ×3p
30	1200V/150A 1200V/180A	6MBI180VB-120-50	2MBI150VA-120-50 2MBI150VB-120-50	6MBI150XBA120-50 6MBI150XXA120-50	2MBI150XAA120-50
50	1200V/200A	6MBI225V-120-50	2MBI200VB-120-50 2MBI200VH-120-50	6MBI200XBE120-50 6MBI200XBA120-50 6MBI200XXA120-50 6MBI200XXE120-50	2MBI200XAA120-50 2MBI200XBE120-50
75	1200V/300A	6MBI300V-120-50	2MBI300VD-120-50 2MBI300VH-120-50 2MBI300VE-120-50	-	2MBI300XBE120-50 2MBI300XHA120-50 2MBI300XNA120-50 2MBI300XNB120-50
100	1200V/400A 1200V/450A	6MBI450V-120-50	2MBI450VH-120-50 2MBI450VE-120-50 2MBI450VN-120-50 2MBI450VX-120-50	-	2MBI400XDE120-50 2MBI450XEE120-50 2MBI450XHA120-50 2MBI450XNA120-50 2MBI450XNB120-50