

To All Customers

Rep No. B23007

June 23, 2023

Fuji Electric FA Components
& Systems Co., Ltd.

SK06-12 Series Magnetic Contactors
Notification regarding Change of Outline Dimensions of Some Options

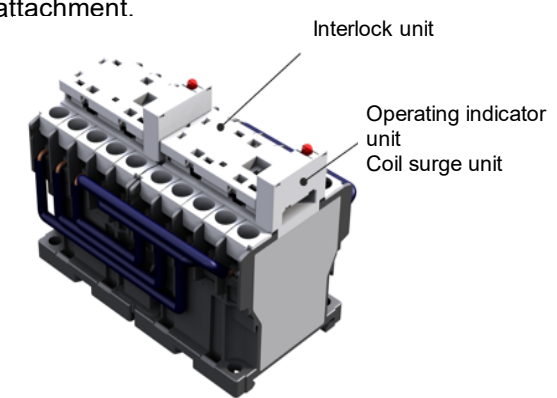
We would like to thank you for your continued patronage of Fuji products.

We will be changing some products as described below.

Please review the following information and take appropriate actions.

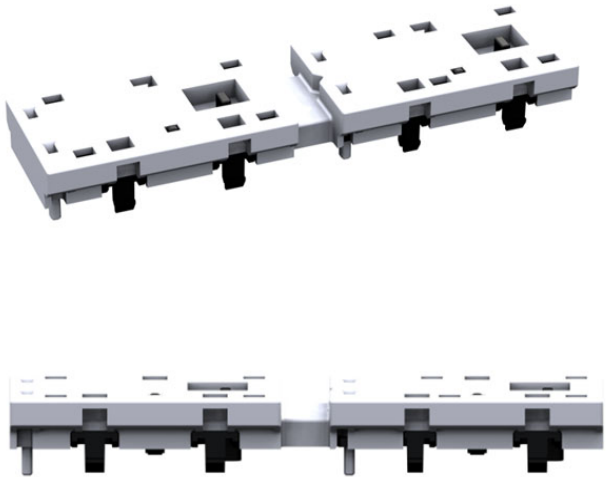
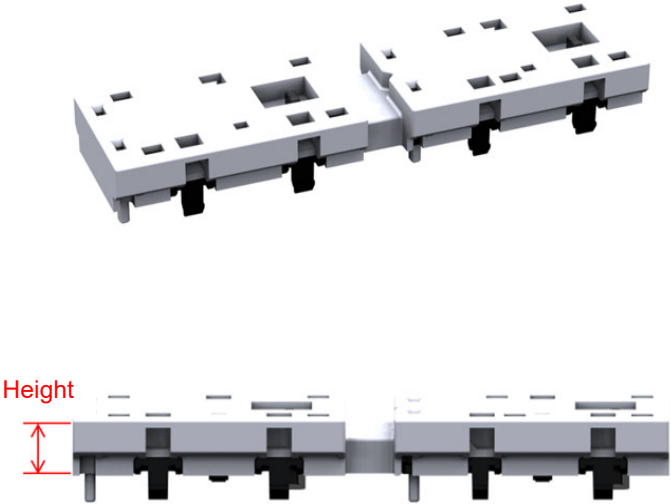
Please also inform all related sections of your company of these changes.

| | |
|-----------------------------|--|
| Product name | 1) Interlock unit (including types that combine a reversing type magnetic contactor/starter) 2) Coil surge suppression unit 3) Operating indicator unit |
| Series name | SK06-12 Series |
| Types | 1) Interlock unit: SZ1KRM Reversing type magnetic contactor: SK06□■R, SK09□■R, SK12□■R□□: A, G□■: None, H 2) Coil surge suppression unit: SZ1KZ□□□: 1-6 3) Operating indicator unit: SZ1KL□□□: 1-3 |
| Changed parts | 1) Interlock unit (including types that combine a reversing type magnetic contactor/starter): Upper frame 2) Coil surge suppression unit: Case cover 3) Operating indicator unit: Case cover |
| Details of the change | <p>The following changes will be implemented for each option. For details, see the attachment.</p> <p>1) Interlock unit: The height dimension (thickness) will be increased by 1 mm.</p> <p>2) Coil surge suppression unit: <ul style="list-style-type: none"> • SZ1KZ 1-3, 6: The height/inseam will be increased by 1 mm due to the change in the interlock unit. • SZ1KZ 4, 5: The inseam will be increased by 1 mm due to the change in the interlock unit. </p> <p>3) Operating indicator unit: The height/inseam will be increased by 1 mm due to the change in the interlock unit.</p> |
| Reason for change | 1) Interlock unit (including types that combine a reversing type magnetic contactor/starter): To improve mountability 2) Coil surge suppression unit: To optimize dimensions in accordance with the change in the interlock unit's dimensions. 3) Operating indicator unit: To optimize dimensions in accordance with the change in the interlock unit's dimensions. |
| Date of production change | 1) Interlock unit (including types that combine a reversing type magnetic contactor/starter): Scheduled for products to be produced from May 2024. 2) Coil surge suppression unit: Scheduled for products to be produced from November 2023. 3) Operating indicator unit: Scheduled for products to be produced from November 2023. |
| Attachments | Attachment 1. Changes in Interlock Unit Attachment 2. Changes in Reversing Type Magnetic Contactor (Starter) SK06-12□R Attachment 3. Changes in Coil Surge Suppression Unit and Operating Indicator Unit (1/2) Attachment 4. Changes in Coil Surge Suppression Unit and Operating Indicator Unit (2/2) Attachment 5. Mounting Compatibility Before and After Product Changes |
| Notes concerning the change | Note that the changed interlock unit cannot be mounted to the current coil surge unit/operating indicator unit. (For details, see Attachment 5.) This change does not have any effect on product performance. |



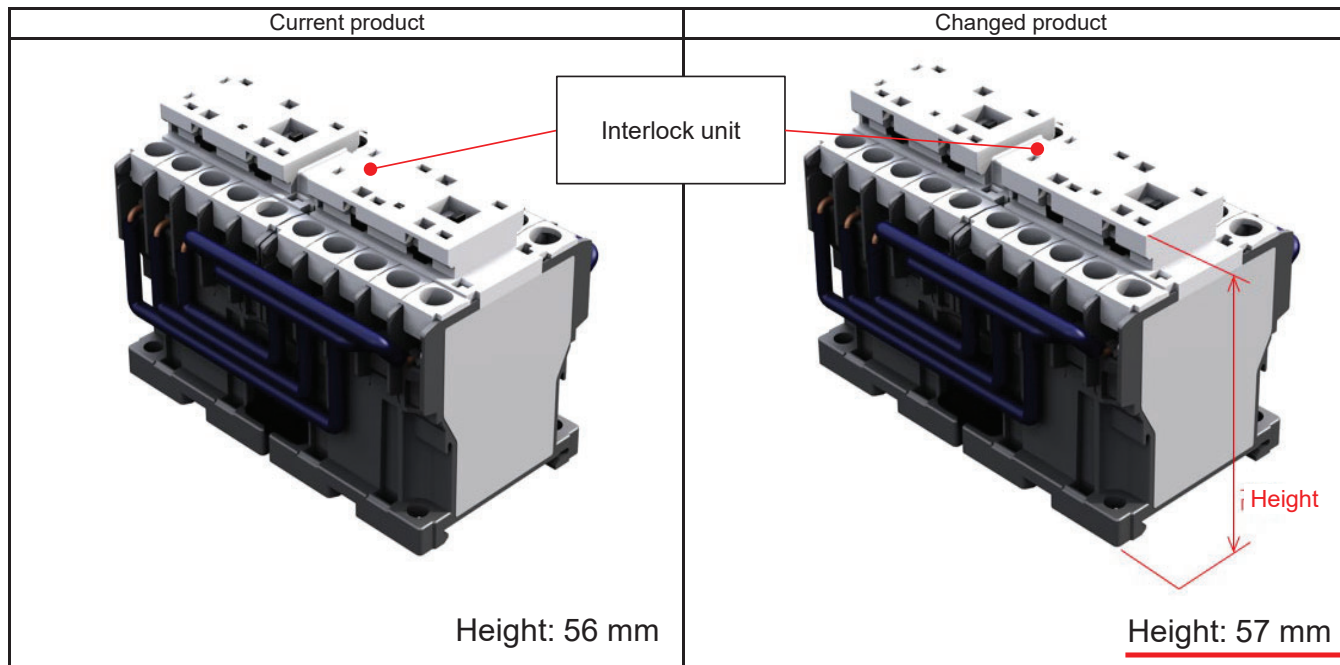
[Changes] Interlock unit: SZ1KRM

The product's height dimension (thickness) will be increased by 1 mm from 7 mm to 8 mm.

| Current product | Changed product |
|--|---|
|  <p data-bbox="653 1224 856 1260">Height: 7 mm</p> |  <p data-bbox="953 1029 1031 1057">Height</p> <p data-bbox="1409 1227 1612 1263"><u>Height: 8 mm</u></p> |


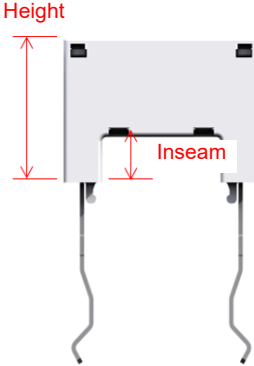
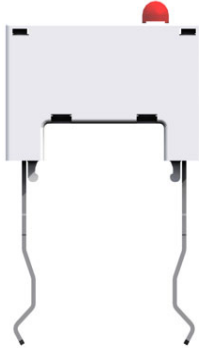
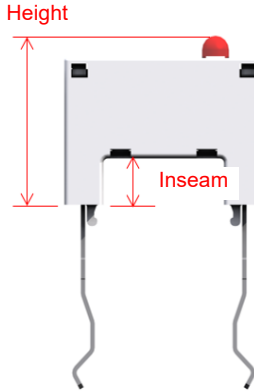
[Changes] Reversing type magnetic contactor: SK06□R, SK09□R, SK12□R

The product's height dimension (thickness) will be increased by 1 mm from 56 mm to 57 mm due to the change in the interlock unit's dimensions.



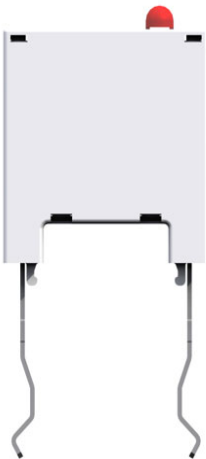
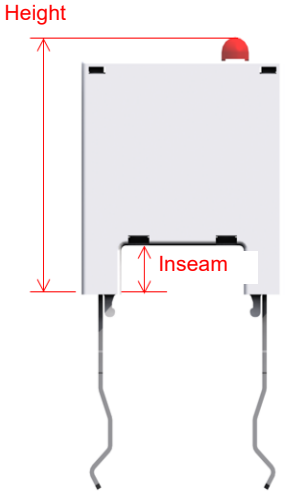
[Changes] Coil surge suppression unit: SZ1KZ 1-3, 6 / Operating indicator unit: SZ1KL 1-3

The product's height and inseam dimensions of the coil surge unit and operating indicator unit will be increased by 1 mm to match the increased height of the interlock unit, since they are mounted across the interlock unit.

| Coil surge suppression unit SZ1KZ 1-3, 6 | | Operating indicator unit SZ1KL 1-3 | |
|--|--|---|--|
| Current product | Changed product | Current product | Changed product |
|  <p>Height: 15 mm Inseam: 7 mm</p> |  <p>Height: 16 mm Inseam: 8 mm</p> |  <p>Height: 18 mm Inseam: 7 mm</p> |  <p>Height: 19 mm Inseam: 8 mm</p> |

[Changes] Coil surge suppression unit: SZ1KZ 4-5

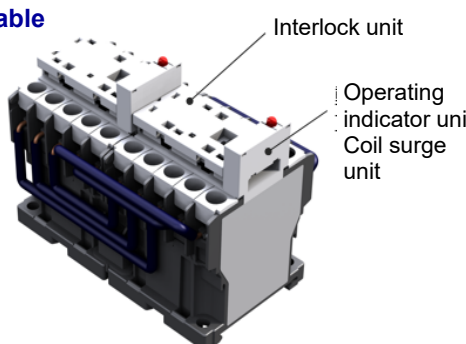
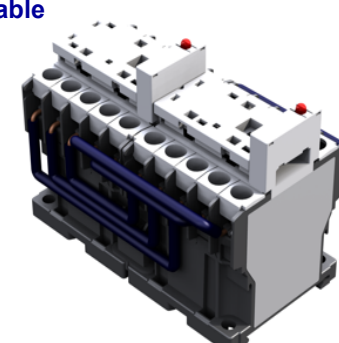
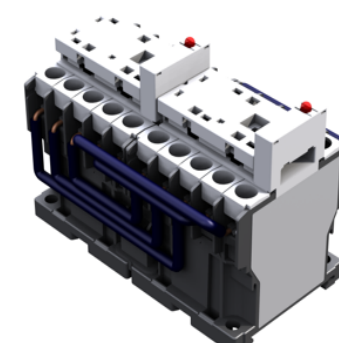
The product's inseam dimension will be increased by 1 mm due to the change in the interlock unit's dimensions, as described in Attachment 4. There is no change in product height.

| Current product | Changed product |
|--|---|
|  <p data-bbox="409 1136 598 1193">Height: 26.5 mm Inseam: 7 mm</p> |  <p data-bbox="1113 1153 1312 1218">Height: 26.5 mm <u>Inseam: 8 mm</u></p> |

Attachment 5
 Mounting Compatibility Before and After Product Changes

Mounting compatibility before and after product changes is described below.

Note that the new interlock unit after the changes cannot be mounted to the current coil surge unit/operating indicator unit.

| | | SZ1KRM (Interlock unit) | |
|---|-----------------|--|--|
| | | Current product | Changed product |
| SZ1KZ□, SZ1KL□ (Coil surge suppression unit, operating indicator unit) | Current product | Available  | Not available |
| | Changed product | Available  | Available  |