

New Generation of IPM - Ideal for Air Conditioners, Inverters and Servo Systems

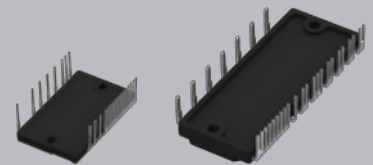
Fuji Electric has developed a compact high capacity intelligent power module (IPM)*¹ which is ideally suited for large capacity air conditioning systems, industrial inverters, and servo systems.

Applying the 7th generation X series IGBT chip technology to the new IPMs leads to a significant reduction of losses.

In combination with the maximized operating temperature due to highly heat resistant packaging technology, using the new IPM series will allow energy savings and miniaturization of your applications.

*¹: An IPM is a module which includes three-phase inverter bridge circuit, control circuit and protection circuit.

- Reduction of losses and improvement of energy efficiency by utilizing 7th generation IGBT technology
- Expansion of permissible operating area by improving the accuracy of overcurrent and overheating protection functions
- Utilizes an ultra-small DIP package with high heat dissipation aluminum insulating substrate



Package:P633A, P642

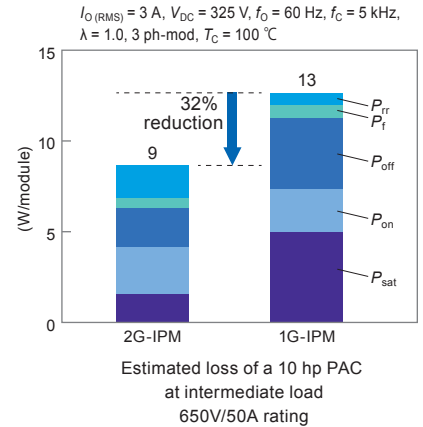
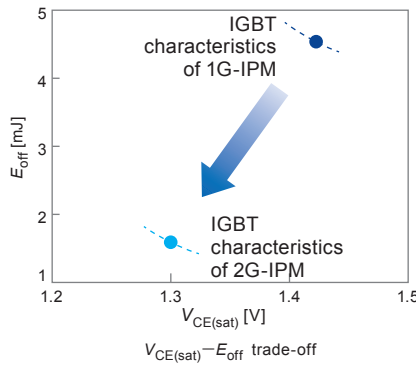
Application examples:
Air conditioners, servo system amplifiers,
industrial inverters, etc.

1. Reduction of losses by applying 7th generation IGBT technology

Improvement of the $V_{CE(sat)}$ – switching loss trade-off by applying Fuji's latest 7th generation IGBT technology

Inverter loss reduction of 32% compared with previous generation at intermediate loads
Increased APF performance!

Comparison with previous generation



2. Utilization of an ultra-small DIP package with high heat dissipation aluminum insulating substrate

High heat dissipation aluminum insulating substrate with resin-applied insulation layer

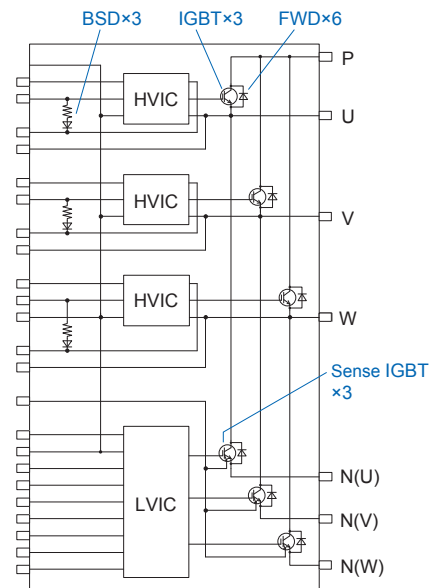
Maximum operating temperature (T_{vjop}) increased from 125°C to 150°C

P642	P633A
79 (W) × 31 (D) × 8 (module thickness) mm	43 (W) × 26 (D) × 3.7 (module thickness) mm

Product Line-up

V_{CE} (V)	Device type	I_C (A)	$V_{CE(sat)}$ typ. (V)	V_F typ. (V)	Overheating protection function	Package	Guaranteed operating range	
650	6MBP50XTA065-50	50	1.30	1.55	No	P642	$T_{vjop} \leq 150^\circ C$	
	6MBP50XTC065-50				Yes			
	6MBP75XTA065-50	75	1.35	1.60	No			
	6MBP75XTC065-50				Yes			
600	6MBP15XSD060-50	15	1.60	1.60	No	P633A		
	6MBP15XSF060-50	20			Yes			
	6MBP20XSD060-50				20			No
	6MBP20XSF060-50	Yes						
	6MBP30XSD060-50	30	1.70	1.70	No			
	6MBP30XSF060-50				Yes			
	6MBP35XSD060-50	35			1.40		1.40	No
	6MBP35XSF060-50							Yes

Internal equivalent circuit : P642



⚠ Safety Precautions

- * Before using this product, read the "Instruction Manual" and "Specifications" carefully, and consult with the retailer from which you purchased this product as necessary to use this product correctly.
- * The product must be handled by a technician with the appropriate skills.

Fuji Electric Co., Ltd.

URL www.fujielectric.com/products/semiconductor/
Gate City Ohsaki, East Tower, 1-11-2, Ohsaki, Shinagawa-ku, Tokyo 141-0032, Japan Tel:+81-3-5435-7156

- Fuji Electric Hong Kong Co., Ltd. Unit 1601-03 & 05, 16/F., Tower II, Grand Century Place, No. 193 Prince Edward Road West, Mongkok, Kowloon, Hong Kong Tel: +852-2664-8699
- Fuji Electric Taiwan Co., Ltd. 10F. No.168, Song Jiang Road, Taipei, Taiwan Tel: +886-2-2515-1820
- Fuji Electric Asia Pacific Pte. Ltd. 151 Lorong Chuan, #03-01/01A, New Tech Park, SINGAPORE 556741 Tel: +65-6533-0014
- Fuji Electric India Private Ltd. 119(Part), 120, 120A, Electrical and Electronics Industrial Estate, Perungudi, Chennai - 600096, Tamil Nadu, India Tel: +91-44-40004200
- Fuji Electric Corp. of America 50 Northfield Avenue Edison, NJ 08837, USA Tel: +1-732-560-9410
- Fuji Electric Europe GmbH Goethering 58, 63067 Offenbach am Main, F.R. GERMANY Tel: +49-69-6690290

2021-8 FOLS PDF

The contents of this document are subject to change without notice.