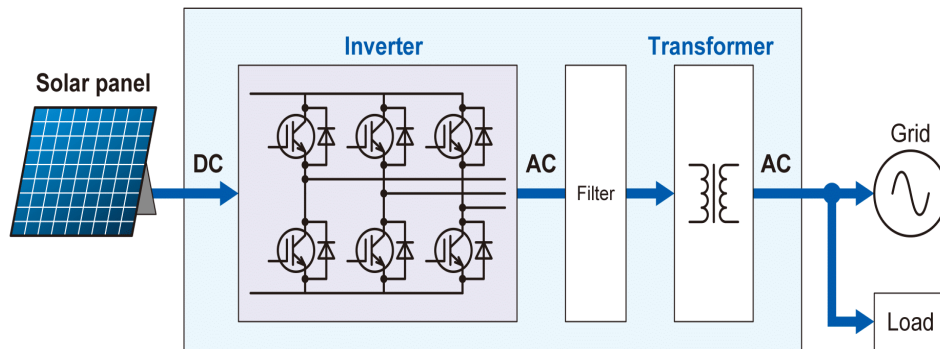


Reach the PINNACLE of Performance and Reliability

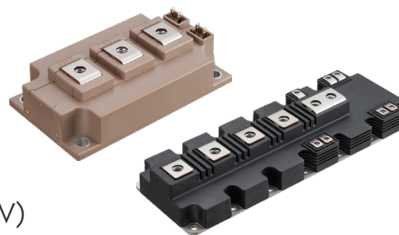
Solar

Power conditioners are necessary to convert solar-panel generated DC power into the AC power needed for residential consumption and for the recovery of the power to power company power systems.



Conversion Circuit Example

Type	Single-Phase Inverter	2-Level Inverter	NPC 3-Level Inverter	A-NPC 3-level with RB-IGBT
Circuit				
Device	IGBT:600V	IGBT:1200V	IGBT:600V	IGBT:1200V +600V(RB-IGBT)
Output Voltage				
Capacity	< 10kW	> 10kW	> 10kW	> 10kW

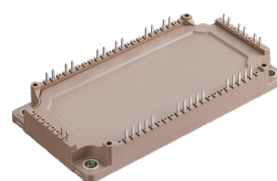


IGBT Modules for Solar Inverters

2-Level Inverters

2 level topology (condition: Vdc rating = 450V, Vdc max = 850V)

PCS	Device Rating	IGBT V Series	IGBT X Series	Number of Parallel
10kW	1200V/40A	-	FGW40XS120C	1
15kW	1200V/50A	6MBI50VA-120-50 6MBI50VW-120-50 2MBI75VA-120-50	-	1
20kW	1200V/75A	6MBI75VA-120-50 6MBI75VW-120-50 2MBI100VA-120-50	FGW75XS120C	1
30kW	1200V/100A	6MBI100VA-120-50 6MBI100VW-120-50 6MBI100VB-120-50 6MBI100VX-120-50	2MBI100XAA120-50 6MBI100XAE120-50 6MBI100XBA120-50 6MBI100XXA120-50	1
	1200V/150A	2MBI150VA-120-50 2MBI150VB-120-50 6MBI150VB-120-50 6MBI150VX-120-50	2MBI150XAA120-50 6MBI150XBA120-50 6MBI150XXA120-50	1
50kW	1200V/180A	6MBI180VB-120-50 6MBI180VX-120-50	-	1
	1200V/200A	2MBI200VB-120-50 2MBI200VH-120-50	2MBI200XBE120-50 2MBI200XAA120-50 6MBI200XBA120-50 6MBI200XBE120-50 6MBI200XXA120-50 6MBI200XE120-50	1
	1200V/300A	2MBI300VD-120-50 2MBI300VH-120-50 2MBI300VE-120-50 2MBI300VN-120-50	2MBI300XBE120-50 2MBI300XHA120-50 2MBI300XNA120-50	1
100kW	1200V/450A	2MBI450VH-120-50 2MBI450VE-120-50 2MBI450VN-120-50	2MBI450XEE120-50 2MBI450XHA120-50 2MBI450XNA120-50 2MBI600XDE120-50	1
125kW	1200V/600A	2MBI600VE-120-50 2MBI600VN-120-50 2MBI600VXA-120E-50	2MBI600XHA120-50 2MBI600XEE120-50 2MBI600XNG120-50	1
250kW	1200V/900A	2MBI900VXA-120E-50 2MBI900VXA-120P-50	2MBI900XXA120P-50	1
	1200V/1200A	-	2MBI1200XXE120P-50	1
	1200V/1400A	2MBI1400VXB-120E-50 2MBI1400VXB-120P-50	2MBI1400XXB120P-50	1
500kW	1200V/900A x 2p	2MBI900VXA-120E-50 2MBI900VXA-120P-50	2MBI900XXA120P-50	2
	1200V/1800A	-	2MBI900XXA120P-50	1
	1200V/1200A x 2p	-	2MBI1200XXE120P-50	2
	1200V/1400A x 2p	2MBI1400VXB-120E-50 2MBI1400VXB-120P-50	2MBI1400XXB120P-50	2
1000kW	1200V/900A x 4p	2MBI900VXA-120E-50 2MBI900VXA-120P-50	2MBI900XXA120P-50	4
	1200V/1200A x 4p	-	2MBI1200XXE120P-50	4
	1200V/1400A x 4p	2MBI1400VXB-120E-50 2MBI1400VXB-120P-50	2MBI1400XXB120P-50	4



NPC 3 Level Inverter

A-NPC 3 level topology (condition: Vdc rating = 450V, Vdc max = 850V)

PCS	Device Rating	IGBT V Series	IGBT X Series
15kW	1200V/50A	12MBI50VN-120-50 12MBI50VX-120-50	1
20kW	1200V/75A	12MBI75VN-120-50 12MBI75VX-120-50	1
30kW	1200V/100A	12MBI100VN-120-50 12MBI100VX-120-50	1
50kW	1200V/300A 1200V/340A	4MBI300VG-120R-50 4MBI340VF-120R-50	1
100kW	1200V/400A 1200V/450A	4MBI400VF-120R-50 4MBI450VB-120R1-50 2MBI450VH-120-50 2MBI450VH-120F-50	1
125kW	1200V/300A ×2p 1200V/650A	4MBI300VG-120R-50 4MBI650VB-120R1-50	2 1
250kW	1200V/300A ×4p 1200V/900A 1200V/600A (for 1500VDC)	4MBI300VG-120R-50 4MBI900VB-120R1-50 4MBI900VB-120RA-50 4MBI600VC-120-50	4 1 1 1
500kW	1200V/900A ×2p 1200V/600A ×2p (for 1500VDC)	4MBI900VB-120R1-50 4MBI900VB-120RA-50 4MBI600VC-120-50	2
1000kW	11200V/900A ×4p 1200V/600A ×4p (for 1500VDC)	4MBI900VB-120R1-50 4MBI900VB-120RA-50 4MBI600VC-120-50	4