

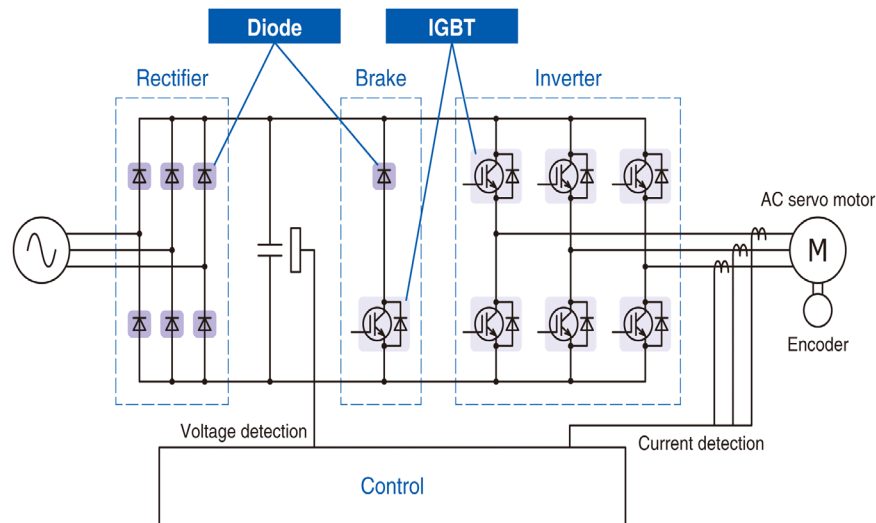
Reach the PINNACLE of Performance and Reliability

Automation NC/Servos and Robots

NC servos are devices that perform positioning and speed control on machine tools. Robots are machines used for assembly, welding, transportation, etc., and have multi-axis control functions. They are used in automobile, liquid crystal, and semiconductor assembly lines, and their applications are expanding.

This page provides information on Fuji Electric semiconductors ideal for NC servos and robots.

Servo Circuit Configuration



Recommended Devices for Servo

Please select a device that corresponds to the input voltage in your area of usage. A list of IGBT module models ideal for use with servos will be displayed. The product data sheets for each model type are presented.

IGBT Module 600V Device Suitable for General-Purpose Servos

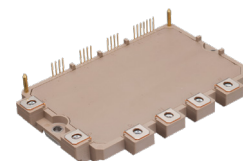
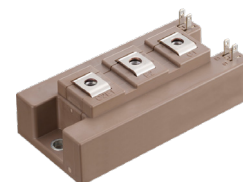
Motor Rating kW	Device Rating -	V Series		X Series	
		IPM	IGBT Modules	IPM	IGBT Modules
0.2	600V/15A	6MBP15VSG060-50	7MBR15VKC060-50	6MBP15XSA060-50	7MBR15XKC065-50
0.4	600V/20A	6MBP20VAA060-50	7MBR20VKC060-50	6MBP20XSA060-50	7MBR20XKC065-50
0.75	600V/30A	6MBP30VAA060-50	7MBR30VKC060-50	6MBP30XSA060-50	7MBR30XKC065-50
1	600V/30A	6MBP30VAA060-50	7MBR30VKC060-50	-	7MBR30XKC065-50

IGBT Module 600V Device Suitable for General-Purpose Servos (Continued)

Motor Rating kW	Device Rating -	V Series		X Series	
		IPM	IGBT Modules	IPM	IGBT Modules
1.5	600V/50A	6MBP50VAA060-50 6MBP50VBA060-50 7MBP50VDA060-50	7MBR50VKD060-50 7MBR50VP060-50	-	7MBR50XKD065-50 7MBR50XPA065-50 7MBR50XMA065-50
2	600V/75A	6MBP75VBA060-50 7MBP75VDA060-50	7MBR75VP060-50 6MBI75VA-060-50	-	7MBR75XPA065-50 7MBR75XMA065-50
3	600V/100A	7MBP100VDA060-50	7MBR100VP060-50 6MBI100VA-060-50 2MBI100VA-060-50	-	7MBR100XPE065-50 7MBR100XNA065-50
5	600V/150A	7MBP150VDA060-50	7MBR150VR060-50 6MBI150VB-060-50 2MBI150VA-060-50	-	7MBR150XRA065-50 7MBR150XRE065-50 2MBI150XAA065-50
7.5	600V/200A	7MBP200VDA060-50 7MBP200VEA060-50	2MBI200VA-060-50	-	2MBI200XAA065-50
11	600V/300A	7MBP300VEA060-50	2MBI300VB-060-50	-	2MBI300XBE065-50
15	600V/300A	7MBP300VEA060-50	2MBI300VB-060-50	-	2MBI300XBE065-50
22	600V/400A	7MBP400VEA060-50	2MBI400VB-060-50	-	2MBI400XBE065-50

IGBT Module 1200V Device Suitable for General-Purpose Servos

Motor Rating kW	Device Rating -	V Series		X Series
		IPM	IGBT Modules	IGBT Modules
0.4	1200V/10A	6MBP10VAA120-50	7MBR10VKC120-50	7MBR10XKC120-50
0.75	1200V/15A	6MBP15VAA120-50	7MBR15VKC120-50 7MBR15VKD120-50	7MBR15XKC120-50 7MBR15XKD120-50
1	1200V/15A	6MBP15VAA120-50	7MBR15VKC120-50 7MBR15VKD120-50	7MBR15XKC120-50 7MBR15XKD120-50
1.5	1200V/25A	6MBP25VAA120-50 6MBP25VBA120-50 7MBP25VDA120-50	7MBR25VKD120-50 7MBR25VP120-50	7MBR25VKD120-50 7MBR25VP120-50
2	1200V/35A	6MBP35VBA120-50 7MBP35VDA120-50	7MBR35VKD120-50 7MBR35VP120-50	7MBR35XKD120-50 7MBR35XPA120-50
3	1200V/50A	6MBP50VBA120-50	6MBI50VA-120-50	7MBR50XRKD120-50
0.4	1200V/10A	6MBP10VAA120-50	7MBR10VKC120-50	7MBR10XKC120-50
0.75	1200V/15A	6MBP15VAA120-50	7MBR15VKC120-50 7MBR15VKD120-50	7MBR15XKC120-50 7MBR15XKD120-50
1	1200V/15A	6MBP15VAA120-50	7MBR15VKC120-50 7MBR15VKD120-50	7MBR15XKC120-50 7MBR15XKD120-50
1.5	1200V/25A	6MBP25VAA120-50 6MBP25VBA120-50 7MBP25VDA120-50	7MBR25VKD120-50 7MBR25VP120-50	7MBR25XKD120-50
2	1200V/35A	6MBP35VBA120-50 7MBP35VDA120-50	27MBR35VKD120-50 7MBR35VP120-50	7MBR35XKD120-50 7MBR35XPA120-50
3	1200V/50A	6MBP50VBA120-50 7MBP50VDA120-50	6MBI50VA-120-50 7MBR50VP120-50	7MBR50XRKD120-50 7MBR50XPA120-50 7MBR50XPE120-50
5	1200V/75A	7MBP75VDA120-50	6MBI75VA-120-50 7MBR75VR120-50 2MBI75VA-120-50	7MBR75XRA120-50 7MBR75XRE120-50 7MBR75XME120-50 7MBR75XNA120-50
7.5	1200V/100A	7MBP100VDA120-50 7MBP100VEA120-50	7MBR100VR120-50 6MBI100VA-120-50 6MBI100VB-120-50 2MBI100VA-120-50	7MBR100XRA120-50 7MBR100XRE120-50 7MBR100XNA120-50 6MBI100XAE120-50 6MBI100XBA120-50 2MBI100XAA120-50



IGBT Module 1200V Device Suitable for General-Purpose Servos (Continued)

Motor Rating	Device Rating	V Series		X Series
kW	-	IPM	IGBT Modules	IGBT Modules
11	1200V/150A	7MBP150VEA120-50	7MBR150VR120-50 6MBI150VB-120-50 2MBI150VA-120-50 2MBI150VB-120-50	7MBR150XNE120-50 7MBR150XRE120-50 6MBI150XBA120-50 2MBI150XAA120-50
15	1200V/150A	7MBP150VEA120-50	7MBR150VR120-50 6MBI150VB-120-50 2MBI150VA-120-50 2MBI150VB-120-50	7MBR150XNE120-50 7MBR150XRE120-50 6MBI150XBA120-50 2MBI150XAA120-50
22	1200V/200A	7MBP200VEA120-50	6MBI180VB-120-50 2MBI200VB-120-50 2MBI200VH-120-50	6MBI200XBA120-50 6MBI200XBE120-50 2MBI200XAA120-50 2MBI200XBE120-50