

# COMPACT NDIR GAS ANALYZER

DATA SHEET

ZSVF-2

## OVERVIEW

The compact NDIR gas analyzer (ZSVF) consists of an analyzing block (infrared sensor and oxygen sensor) and a sampling block.

For gas extractor, either simplified measurement (non-fixed type) or continuous measurement (fixed type) probe is selectable at option.

Because a single beam type high-sensitivity mass flow sensor is adopted for the infrared sensor, long-term stability and maintainability are excellent.

This analyzer is capable of simultaneously measuring max. 5 components among NO<sub>x</sub>, SO<sub>2</sub>, CO<sub>2</sub>, CO, CH<sub>4</sub> and O<sub>2</sub> in sample gas, and is used for flue gas from stationary emission sources such as various boilers, garbage incinerators and heat treatment furnaces, and for plant cultivation and research-purpose chemical analysis.



## FEATURES

### 1. Gas concentrations of 5 components measurable simultaneously and continuously (Note).

Concentrations of max. 4 gas components among NO<sub>x</sub>, SO<sub>2</sub>, CO<sub>2</sub>, CO and CH<sub>4</sub> are continuously measurable with the infrared sensor, and that of O<sub>2</sub> is continuously measurable with a magnetic force or galvanic cell type oxygen sensor in combination with a full-fledged sampling block.

### 2. Standard with 3-range analyzer

Measurement can be performed over a broad range using the range selector key.

### 3. Compact and easy to use.

The analyzing block and sampling block are separated from each other to facilitate transport and installation.

Operation is easier because operation keys and display unit are all gathered in the analyzing block.

### 4. A rich variety of standard functions incorporated.

Auto zero calibration and auto drain discharge function are incorporated for ensuring an excellent maintainability. Max. 8-channel outputs are allowed including instantaneous concentration value, O<sub>2</sub>-corrected value, O<sub>2</sub>-corrected moving average value and CP calculation value outputs.

(Note) To perform measurement continuously, the standard requirements for sample gas (shown on page 3) need to be met, and periodic draining, zero/span calibrations and membrane filter replacement are required.

## SPECIFICATIONS

### Standard Specifications

- **Measuring system:**  
NO<sub>x</sub>, SO<sub>2</sub>, CO<sub>2</sub>, CO and CH<sub>4</sub>; Non-dispersive infrared absorption method with single light source and single beam (single beam method)  
O<sub>2</sub>; Magnetic force or galvanic cell method
- **Measurable component and min./max. measuring range:**  
NO<sub>x</sub>; 0 to 500 ppm / 0 to 5000 ppm  
SO<sub>2</sub>; 0 to 500 ppm / 0 to 1 %  
CO<sub>2</sub>; 0 to 200 ppm / 0 to 100 %  
CO; 0 to 200 ppm / 0 to 100 %  
CH<sub>4</sub>; 0 to 1000 ppm / 0 to 100 %  
O<sub>2</sub>; 0 to 5 % / 0 to 25 %  
Max. 5 components measurable including O<sub>2</sub>
- **Number of measuring ranges:**  
3 ranges  
• Max. range ratio 1:5
- **Warm-up time:**  
30 min after power-on  
Provided with count-down timer indicating function.
- **Analog output:**  
In up to 8 channels.  
4 to 20 mA DC or 0 to 1 V DC (linear)  
Non-isolated output  
Allowable load; 4 to 20 mA DC, 550Ω or less 0 to 1 V DC, 100 kΩ or more  
• Instantaneous value output of each gas component  
• Instantaneous value output after O<sub>2</sub> correction (when provided with O<sub>2</sub> analyzer)

This product is not explosion-proof. When handling dangerous gas, adequate attention shall be paid.

- Average value output after O<sub>2</sub> correction (when provided with O<sub>2</sub> analyzer)
- CP calculation value output (when provided with CO<sub>2</sub> analyzer)
- \* The channel numbers of indicated value and output value correspond to each other one by one.
- \* An exclusive 25-pin cable is standard-equipped.
- **Communication output:**  
RS-232C Modbus protocol
- \* Use a commercially available product (D-sub 9-pin cable).
- **Control input/output:**  
Input/output signals between the analyzing block and sampling block.
- \* An exclusive 15-pin cable is standard-equipped.
- **Indicated values:**  
Digital 4-digit indication (by LCD with back light)
  - Instantaneous values of respective gas components
  - Instantaneous values after O<sub>2</sub> correction (when provided with O<sub>2</sub> analyzer)
  - Average value after O<sub>2</sub> correction (when provided with O<sub>2</sub> analyzer)
  - CP calculation value display (when provided with CO<sub>2</sub> analyzer)
- \* The channel numbers of indicated value and output value correspond to each other one by one.
- **Power supply:**  
Rated voltage; 100 to 115 V AC or 200 to 240 V AC  
Working voltage; 85 to 132 V AC or 180 to 264 V AC
- \* Depending on customer's code selection.  
Rated frequency; 50/60 Hz  
Max. rated power; 150 VA for analyzing block  
250 VA for sampling block  
Inlet; Class 1 type conforming with EN60320
- **Operating conditions:**  
Ambient temperature; 0 to 40°C  
Ambient humidity; 90% RH or less
- \* Condensation unallowable
- **Storage conditions:**  
Ambient temperature; -20 to 60°C  
Ambient humidity; 95% RH or less
- \* Condensation unallowable.  
Water should be drained from the drain pot and zero pot.
- **External dimensions (H × W × D mm):**  
Analyzing block; 211 × 365 × 514  
Sampling block; 377 × 365 × 514
- **Weight:**  
Analyzing block; Approx. 12 kg  
Sampling block; Approx. 18 kg
- **Finish color:**  
Cover; White pearl mica  
Base; Medium gray metallic
- **Enclosure design:**  
Casing made of steel plates for indoor installation.
- **Gas-contacting part materials:**  
Gas inlet/outlet; Polypropylene  
Sample cell; SUS304/neoprene rubber  
Transparent window; CaF<sub>2</sub>  
Internal pipes; Toalon tube/Teflon tube  
Connection nipple; Polypropylene/Teflon
- **Gas inlet/outlet:**  
ø6/ø3 hose end
- **Purge gas flow rate:**  
1 L/min (to be purged as required)

## Standard Functions

- **Auto zero calibration:**  
Zero point is calibrated periodically at the predetermined cycle.
- \* For using N<sub>2</sub> gas, prepare zero cylinder gas.  
Calibration cycle; OFF/ON (1 to 12 hours)  
(settable in 1-hour step)  
Gas flow time; 180 to 999 sec (settable in 1-sec step)
- **Auto draining:**  
Water is drained periodically at the predetermined cycle.  
Draining cycle; 1 to 8 hours (settable in 1-hour step)  
Draining time; 30 to 60 sec (settable in 1-sec step)
- **Auto indication off:**  
Indication automatically turns off when no key is operated for the determined period of time in the standby status.  
Light off time; OFF/ON (1 to 30 min) (settable in 1-min step)
- **Replacement/purge time:**  
After zero/span calibration or measurement, zero gas or sample gas is automatically flowed.  
Gas flow time; 30 to 300 sec (settable in 1-sec step)
- **Output holding:**  
At calibration during measurement, output holds the value just before the calibration according to hold setting. In the standby status, output will not be held.  
Indication will not be held either.  
Hold setting; OFF/ON
- **Key lock:**  
None of the set values can be changed when key lock is turned ON.  
This is helpful for reducing operation errors and wrong inputs.
- **Instrument/calibration error indication:**  
When the instrument or calibration is abnormal, an error number is indicated to help analysis of the error.
- **O<sub>2</sub> correction:**  
Conversion of measured NO<sub>x</sub>, SO<sub>2</sub> and CO gas concentrations into values at standard O<sub>2</sub> concentration  
Calculating equation;
 
$$C = \frac{21 - O_n}{21 - O_s} \times C_s$$
  - C; Sample gas concentration after O<sub>2</sub> correction
  - C<sub>s</sub>; Measured concentration of sample gas
  - O<sub>s</sub>; Measured O<sub>2</sub> concentration
  - O<sub>n</sub>; Standard O<sub>2</sub> concentration for conversion (settable within 0 to 19%)
- The result of conversion is indicated and output in a signal simultaneously.
- \* An O<sub>s</sub> value of 20% or more is taken as 20% for calculation.
- **Averaging after O<sub>2</sub> correction;**  
The result of O<sub>2</sub> correction is subjected to moving average for the determined period of time. And the result of averaging is indicated and output in a signal simultaneously. Average value will be taken at a cycle of 30 sec. (Indication and output are updated every 30 sec.)
- **Resetting of output average value:**  
Indication and output of average value are cleared in response to resetting.
- \* Effective only when average value selection is specified in CODE SYMBOLS.

• **CP calculation:**

The carbon potential of carburizing furnace and conversion furnace are calculated using furnace temperature (fixed input value) and CO concentration value (fixed or measured value) while referring to CO<sub>2</sub> measured value.

$$\text{Calculation equation; } CP = \frac{CPS \times (PCO)^2}{K1 \times PCO_2}$$

where,

- CPS ; Saturated carbon concentration (partial pressure)  
0.0028t–1.30 (800°C ≤ 850°C)  
0.0030t–1.47 (850°C ≤ 950°C)  
0.0034t–1.85 (950°C ≤ 1000°C)
- t ; Furnace temperature
- PCO ; CO concentration value (partial pressure)
- PCO<sub>2</sub> ; CO<sub>2</sub> concentration value (partial pressure)
- K1 ; Constant K1=10 (9.06–15966/T)
- T ; Rankine temperature (tx9/5+32+460)

**Performance**

- **Repeatability:**  
Within ±0.5% of full scale
- **Linearity:**  
Within ±2% of full scale
- **Zero drift:**  
Within ±1% of full scale/day
- **Span drift:**  
Within ±1% of full scale/day
- **Response time:**  
Within 50 sec for 90% indication after extracting sample gas through the inlet.  
However, within 3 min with SO<sub>2</sub> and galvanic cell type O<sub>2</sub> analyzers
- **Other gases' influence:**

Interference component concentration	Sample component/ range	NOx analyzer		SO <sub>2</sub> analyzer		CH <sub>4</sub> analyzer
		500ppm max	1000ppm min	500ppm max	1000ppm min	
NO	1000ppm	—	—	Within ±2%		Within ±2%
SO <sub>2</sub>	1000ppm	Within ±2%		—	—	Within ±2%
CO <sub>2</sub>	15%	Within ±2%		Within ±2%		Within ±5%
CO	1000ppm	Within ±2%		Within ±2%		Within ±2%
CH <sub>4</sub>	1000ppm	Within ±2%		Within ±8%	Within ±5%	—
NH <sub>3</sub>	50ppm	Within ±8%	Within ±5%	Within ±8%	Within ±5%	Within ±2%
H <sub>2</sub> O 2°C saturatio		Within ±3%	Within ±2%	Within ±3%	Within ±2%	Within ±2%

\* H<sub>2</sub>O interference values in 2C saturation with NOx and SO<sub>2</sub> analyzers are values after moisture interference compensation.

Interference component concentration	Sample component/ range	CO <sub>2</sub> analyzer		CO analyzer		O <sub>2</sub> analyzer
		200ppm max	500ppm min	200ppm max	500ppm min	
NO	1000ppm	Within ±2%		Within ±2%		Within ±2%
SO <sub>2</sub>	1000ppm	Within ±2%		Within ±2%		Within ±2%
CO <sub>2</sub>	15%	—	—	Within ±3%	Within ±3%	Within ±2%
CO	1000ppm	Within ±2%		—	—	Within ±2%
CH <sub>4</sub>	1000ppm	Within ±2%		Within ±2%		Within ±2%
NH <sub>3</sub>	50ppm	Within ±2%		Within ±2%		Within ±2%
H <sub>2</sub> O 2°C saturatio		Within ±3%	Within ±2%	Within ±3%	Within ±2%	Within ±2%

**Standard Requirements for Sample Gas**

- **Flow rate:**  
0.5 L/min ±0.2 L/min for 1 optical system  
(1 L/min ±0.4 L/min for 2 optical systems)
- **Temperature:**  
0 to 40°C at inlet of sampling block  
10 to 70°C at tip of non-fixed type probe (available at option)  
70 to 400°C at tip of fixed type probe (available at option)
- **Pressure:**  
0 to 3 kPa (Gas shall be discharged into atmospheric air.)
- **Dust:**  
50 mg/Nm<sup>3</sup> or less
- **Mist:**  
Unallowable
- **Corrosive gas:**  
HCl 10 ppm or less  
Others Unallowable
- **Standard gas for calibration:**  
Zero gas; N<sub>2</sub> or clean air  
However, clean air cannot be used if CO<sub>2</sub> and O<sub>2</sub> are included in sample gas components.  
Span gas; Concentration limited within 90 to 100% of the range of each sample gas component.  
Unusable at concentrations beyond 100%.

**Options**

- **Gas extractor:**  
Used for aspirating sample gas.  
Non-fixed type; Since this type is used for intermittent measurement, it cannot be fixed.  
Material; SUS304/polypropylene  
Fixed type; Used for continuous measurement. Flange 5K25A FF Sampling pipe length selectable among 300, 400, 600 and 800mm  
Material; SUS316
- **Sample inlet tube:**  
Used for delivering gas from the extractor to sampling block.  
Shape; ø6/ø4 × 5 m or ø6/ø4 × 10 m  
Material; Teflon

**Installation Requirements**

- Selection of a place which does not receive direct sunlight, rain, wind nor radiation from hot substances.  
If such a place cannot be found, a roof or cover should be prepared for protection.
- Avoidance of a place under heavy vibration
- Selection of a place where atmospheric air is clean
- Discharge of exhaust gas into atmospheric air at a safe location
- Avoidance of use in an explosion-proof area

**Scope of Delivery**

- Gas analyzer system (analyzing and sampling blocks)
- Standard accessories (Refer to the table at top right table.)
- Instruction manual

## Items to be Prepared Separately

- Standard gas (ZBM) and pressure regulator (ZBD)
- Recorder (when necessary, Fuji's product type PHR)
- 1-year spares for sampling equipment  
(Refer to the table at bottom right table.)

## Standard Accessories

Name	Quantity
Tubular fuse (2A)(for analyzing block)	2 pcs
Tubular fuse (2A)(for sampling block)	2 pcs
Power cord (for domestic use, for 100/115V AC) (2m) × 2 Power cord (for North American use, for 100/115V AC) (2m) × 2 Power cord (for European use, for 200/220V AC) (2m) × 2	Either one pair <small>* Depending on customer's code selection.</small>
Grounding cable (5m)	2 cables
Control signal cable (1m)	1 cable
Output signal cable (1m)	1 cable
Filter paper (Teflon) for membrane filter (when provided with SO <sub>2</sub> analyzer)	4 sheets
Filter paper (glass fiber) for membrane filter (when not provided with SO <sub>2</sub> analyzer)	10 sheets
Filter element for zero gas	2 pcs
Water container for zero gas	1 pc
Connection tube (5m)	1 tube
Instruction manual (in Japanese or English)	1 copy

Note) Standard accessories include consumables for 6 months.

## Spare Parts for 1-Year Measurement

Name	Quantity	Ordering No.
Filter paper (Teflon) for membrane filter (when provided with SO <sub>2</sub> analyzer)	12 sheets	TK741833P3
Filter paper (glass fiber) for membrane filter (when not provided with SO <sub>2</sub> analyzer)	1 pc (25 sheets)	TK700735P2
Large O-ring for membrane filter	2 pcs	8553765
Small O-ring for membrane filter	2 pcs	TK733572P1
Filter element for zero gas	3 pcs	TK708816P1
Mist filter element	1 pc	TK7H8043P1
O-ring for mist filter	1 pc	8553765
Diaphragm unit for pump	4 units	TK713248P1
NO <sub>2</sub> /NO converter catalyst (when provided with NO <sub>x</sub> analyzer)	2 packs	TK726891C1
Glass wool for NO <sub>2</sub> /NO converter (when provided with NO <sub>x</sub> analyzer)	2 packs	TK726890C1
NO <sub>2</sub> /NO converter joint (when provided with NO <sub>x</sub> analyzer)	4 pcs	TK7G6890P1

For placing an order for all the spare parts for 1-year measurement, you are requested to select the following code symbols.

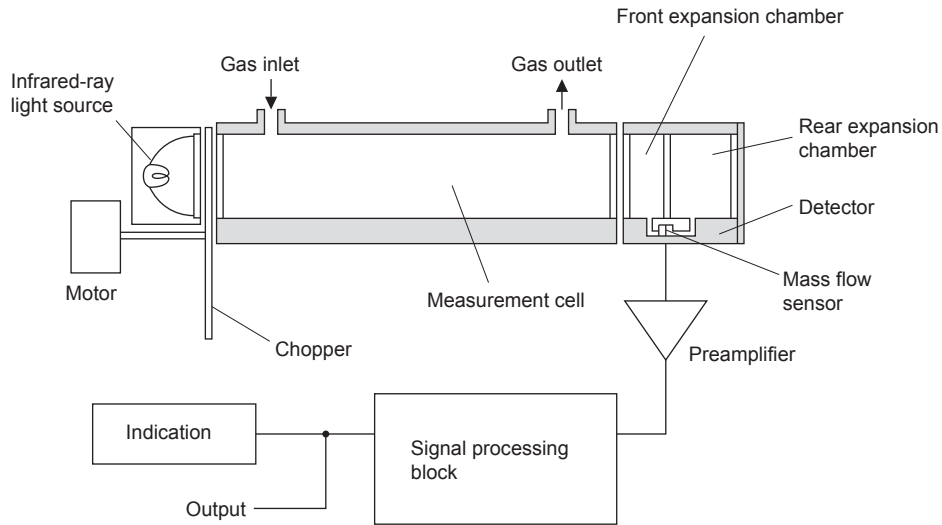
1	2	3	4	5	6	7	8	Description	
Z	B	N	1	S	V		1	NO <sub>x</sub> analyzer	SO <sub>2</sub> analyzer
							1	Without	Without
							2	With	Without
							3	Without	With
							4	With	With

## Other

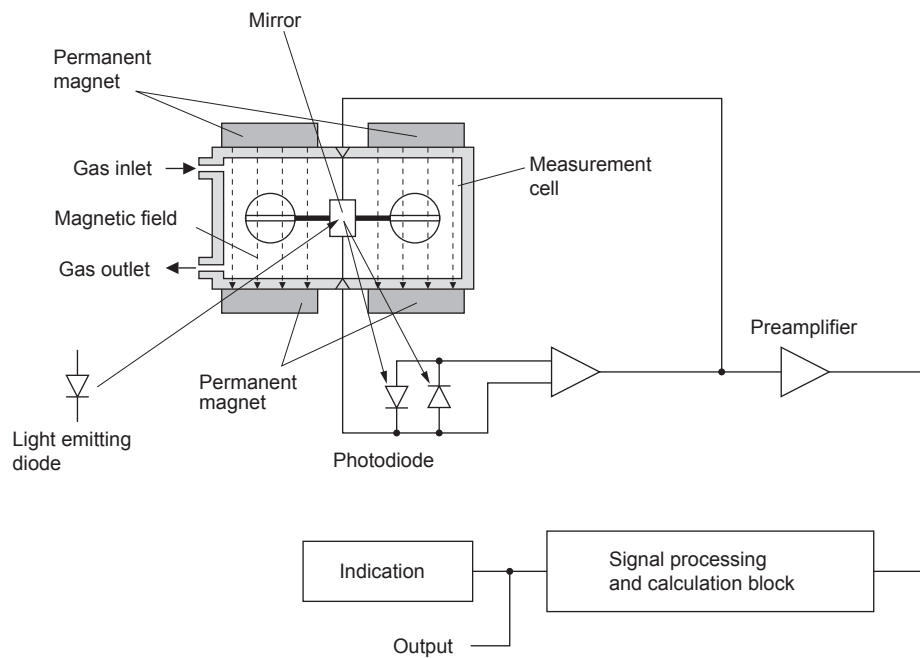
- A galvanic cell type oxygen sensor has a service life of about 18 months from the date of its delivery. Periodic replacement is recommended.

Replacement part ordering No. : TK7M3502C1

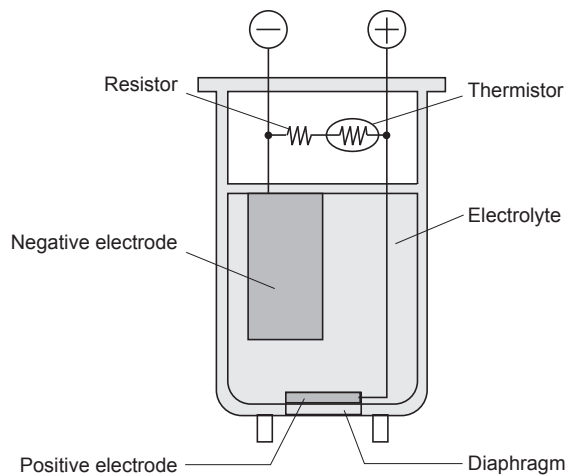
### Principle Diagram of Infrared Type Measurement (NO, SO<sub>2</sub>, CO<sub>2</sub>, CO, CH<sub>4</sub>)



### Principle Diagram of Magnetic Force Type Measurement (O<sub>2</sub>)



### Principle Diagram of Galvanic Cell Type Measurement (O<sub>2</sub>)





Digit	Description	note	1	2	3	4	5	6	7	8	9	10	11	12	13	14	15	16	17	18	19	20	← Digit No. of code
13	< Measuring range (4th component) > 0 to 200ppm/500ppm/1000ppm 0 to 500ppm/1000ppm/2000ppm 0 to 1000ppm/2000ppm/5000ppm 0 to 2000ppm/5000ppm/1% 0 to 5000ppm/1%/2% 0 to 1%/2%/5% 0 to 2%/5%/10% 0 to 5%/10%/20% 0 to 10%/20%/50% 0 to 20%/50%/100% With out	note 4            note 2	Z	S	V	F		Y	2								Y						
14	< Output > 0 to 1 V DC, non-isolated 4 to 20 mA DC, non-isolated																1 2						
15	< Output type > Instantaneous value after O <sub>2</sub> correction Average value after O <sub>2</sub> correction CP calculation value With out	note 5,7   note 10 note 6															0 1 2 Y						
17	< Language > Japanese English																	1 2					
18	< Gas extractor > Non-fixed type (for intermittent measurement) Fixed type (for continuous measurement), flange 5K25A, L = 300 mm Fixed type (for continuous measurement), flange 5K25A, L = 400 mm Fixed type (for continuous measurement), flange 5K25A, L = 600 mm Fixed type (for continuous measurement), flange 5K25A, L = 800 mm With out																		1 2 3 4 5 Y				
19	< Sample inlet tube > 5m×ø6/ø4, Teflon 10m×ø6/ø4, Teflon 20m×ø6/ø4, Teflon With out	note 8																				A B C Y	
20	< Adjustment > Standard adjustment Adjustment for heat treatment furnace Other	note 9  note 11																					A B Z

- Note 1) A parenthesized sample component stands for the 2nd optical system.
- Note 2) Specify code Y when only O<sub>2</sub> analyzer is needed.
- Note 3) Between "1", "2" and "3" of the 9th digit, the rated voltage and plug shape of the attached power cord are different.  
 "1": For domestic use, rated voltage 125V AC (PSE), plug shape North American type  
 "2": For European use, rated voltage 250V AC (ECC), plug shape European type  
 "3": For North American use, rated voltage 125V AC (UL), plug shape North American type
- Note 4) For possible combinations of sample component and measuring range, refer to the following tables (on pages 8 and 9).
- Note 5) Specify this code when "1" or "2" is specified at the 6th digit.
- Note 6) When "Y" is specified at the 6th digit, "Y" should also be specified at the 15th digit.
- Note 7) The kind of output after O<sub>2</sub> correction will be added to all target components only when an analyzer for NO<sub>x</sub>, SO<sub>2</sub> and CO is specified.
- Note 8) Sample inlet tube should be connected within 20 m.
- Note 9) Calibration curve varies with gas components contained in sample gas.  
 "A ; standard adjustment" stands for adjustment in N<sub>2</sub> balance.  
 "B ; adjustment for heat treatment furnace" is applied to CO analyzer and CO<sub>2</sub> analyzer.  
 CO<sub>2</sub> analyzer: CO<sub>2</sub> range gas + 25% CO + 31% H<sub>2</sub>/N<sub>2</sub>  
 CO analyzer: CO range gas + 5% CO<sub>2</sub> + 31% H<sub>2</sub>/N<sub>2</sub>  
 When "Z; other" is specified, a gas composition table should be attached.
- Note 10) Can be manufactured only when " CO<sub>2</sub> analyzer" is selected for the 5th digit.  
 When the 15th code is "2", the range code "A, B, C, D, E" is not available.
- Note 11) When the 20th code is "B", the range code "K" is not available.

## Tables of Sample Component and Measuring Range - Availability Check Tables -

### Table 1: 1-Component Analyzer (NO<sub>x</sub>, SO<sub>2</sub>, CO<sub>2</sub>, CO, CH<sub>4</sub>)

Sample component Range		NO <sub>x</sub> analyzer	SO <sub>2</sub> analyzer	CO <sub>2</sub> analyzer	CO analyzer	CH <sub>4</sub> analyzer
		P	A	D	B	E
A	0 to 200/500/1000ppm	-	-	○	○	-
B	0 to 500/1000/2000ppm	○	○	○	○	-
C	0 to 1000/2000/5000ppm	○	○	○	○	○
D	0 to 2000/5000ppm/1%	-	○	○	○	○
E	0 to 5000ppm/1/2%	-	-	○	○	○
F	0 to 1/2/5%	-	-	○	○	○
G	0 to 2/5/10%	-	-	○	○	○
H	0 to 5/10/20%	-	-	○	○	○
J	0 to 10/20/50%	-	-	○	○	○
K	0 to 20/50/100%	-	-	○	○	○

○ : Product available

### Table 2: 2-Component Analyzer (NO<sub>x</sub> analyzer + SO<sub>2</sub> analyzer)

NO <sub>x</sub> analyzer range SO <sub>2</sub> analyzer range		Range values are the same as those of NO <sub>x</sub> analyzer.									
		A	B	C	D	E	F	G	H	J	K
A	0 to 200/500/1000ppm	-	-	-	-	-	-	-	-	-	-
B	0 to 500/1000/2000ppm	-	○	○	○	-	-	-	-	-	-
C	0 to 1000/2000/5000ppm	-	○	○	○	-	-	-	-	-	-
D	0 to 2000/5000ppm/1%	-	-	-	-	-	-	-	-	-	-
E	0 to 5000ppm/1/2%	-	-	-	-	-	-	-	-	-	-
F	0 to 1/2/5%	-	-	-	-	-	-	-	-	-	-
G	0 to 2/5/10%	-	-	-	-	-	-	-	-	-	-
H	0 to 5/10/20%	-	-	-	-	-	-	-	-	-	-
J	0 to 10/20/50%	-	-	-	-	-	-	-	-	-	-
K	0 to 20/50/100%	-	-	-	-	-	-	-	-	-	-

○ : Product available

### Table 3: 2-Component Analyzer (CO<sub>2</sub> analyzer + CO analyzer)

CO <sub>2</sub> analyzer range CO analyzer range		Range values are the same as those of CO <sub>2</sub> analyzer.									
		A	B	C	D	E	F	G	H	J	K
A	0 to 200/500/1000ppm	○	○	-	-	-	-	-	-	-	-
B	0 to 500/1000/2000ppm	○	○	○	-	-	-	-	-	-	-
C	0 to 1000/2000/5000ppm	-	-	○	○	-	-	-	-	-	-
D	0 to 2000/5000ppm/1%	-	○	○	○	○	-	-	-	-	-
E	0 to 5000ppm/1/2%	-	○	○	○	○	○	○	○	-	-
F	0 to 1/2/5%	○	○	○	○	○	○	○	○	○	-
G	0 to 2/5/10%	○	○	○	○	○	○	○	○	○	○
H	0 to 5/10/20%	○	○	○	○	○	○	○	○	○	○
J	0 to 10/20/50%	-	○	○	○	○	○	○	○	○	○
K	0 to 20/50/100%	-	○	○	○	○	○	○	○	○	○

○ : Product available



**Table 4: 2-Component Analyzer (CH<sub>4</sub> analyzer + CO analyzer)**

CO analyzer range CH <sub>4</sub> analyzer range		Range values are the same as those of CH <sub>4</sub> analyzer.									
		A	B	C	D	E	F	G	H	J	K
A	0 to 200/500/1000ppm	-	-	-	-	-	-	-	-	-	-
B	0 to 500/1000/2000ppm	-	-	-	-	-	-	-	-	-	-
C	0 to 1000/2000/5000ppm	-	-	-	-	-	-	-	-	-	-
D	0 to 2000/5000ppm/1%	-	-	-	-	-	-	-	-	-	-
E	0 to 5000ppm/1/2%	-	-	○	○	○	○	-	-	-	-
F	0 to 1/2/5%	-	-	○	○	○	○	○	○	-	-
G	0 to 2/5/10%	-	○	○	○	○	○	○	○	○	○
H	0 to 5/10/20%	-	○	○	○	○	○	○	○	○	○
J	0 to 10/20/50%	-	○	○	○	○	○	○	○	○	○
K	0 to 20/50/100%	-	○	○	○	○	○	○	○	○	○

○ : Product available

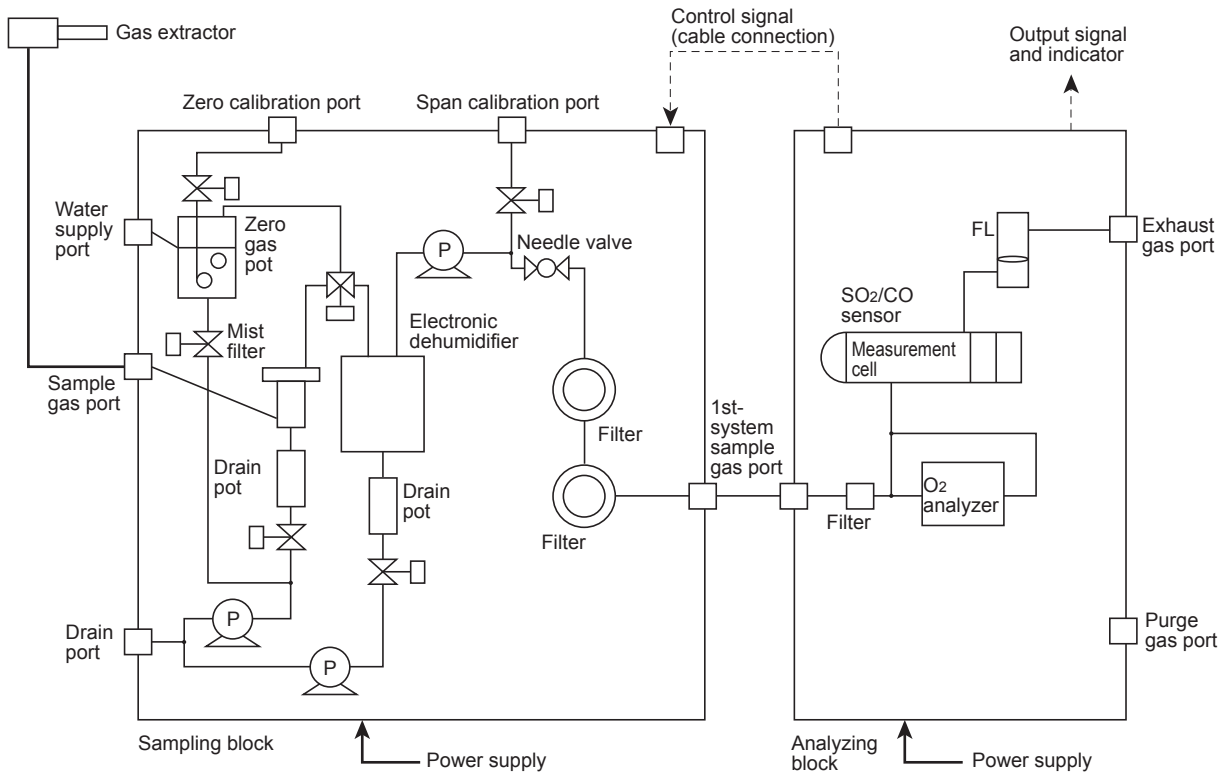
**Table 5: 2-Component Analyzer (CO<sub>2</sub> analyzer + CH<sub>4</sub> analyzer)**

CH <sub>4</sub> analyzer range CO <sub>2</sub> analyzer range		Range values are the same as those of CO <sub>2</sub> analyzer.									
		A	B	C	D	E	F	G	H	J	K
A	0~200/500/1000ppm	-	-	-	-	-	-	-	-	-	-
B	0~500/1000/2000ppm	-	-	-	-	-	-	-	-	-	-
C	0~1000/2000/5000ppm	-	-	-	-	○	-	-	-	-	-
D	0~2000/5000ppm/1%	-	-	-	○	○	○	-	-	-	-
E	0~5000ppm/1/2%	-	-	-	○	○	○	○	-	-	-
F	0~1/2/5%	-	-	-	○	○	○	○	○	-	-
G	0~2/5/10%	-	-	-	○	○	○	○	○	○	-
H	0~5/10/20%	-	-	-	○	○	○	○	○	○	○
J	0~10/20/50%	-	-	-	○	○	○	○	○	○	○
K	0~20/50/100%	-	-	-	○	○	○	○	○	○	○

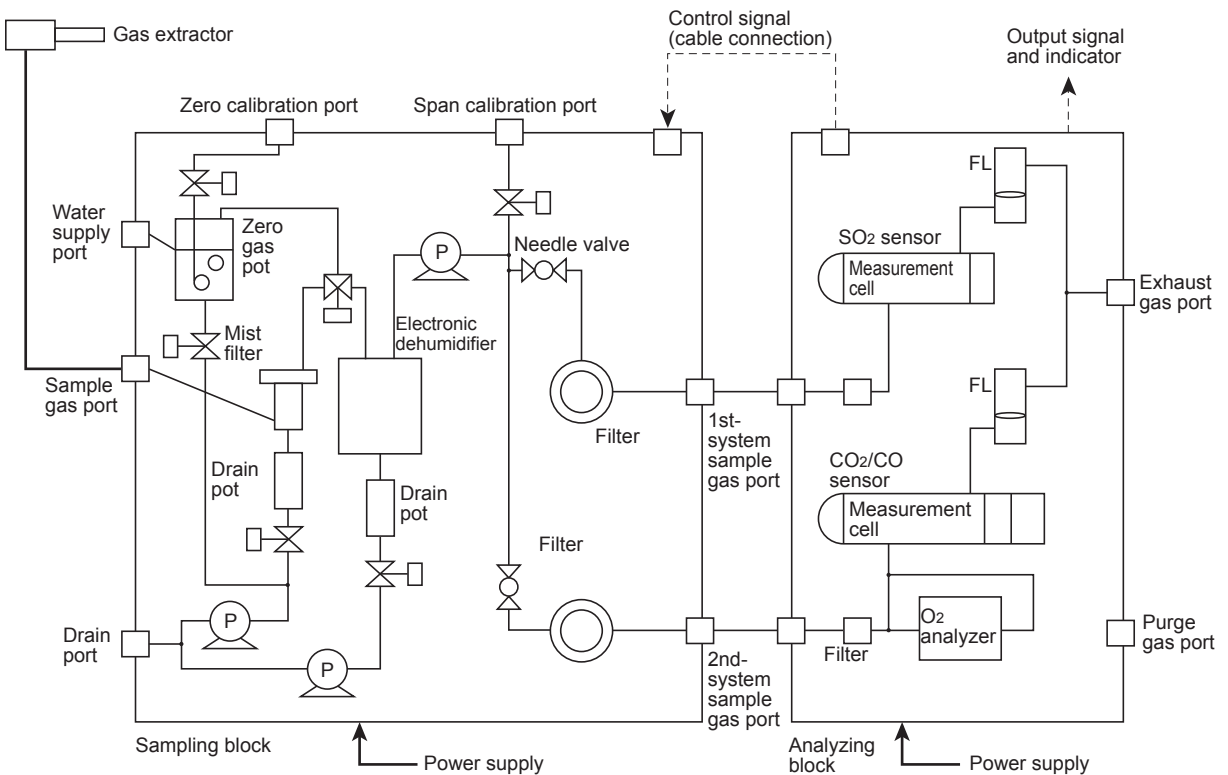
○ : Product available

- 2-component analyzer (NO<sub>x</sub> analyzer + CO analyzer);  
Possible range in combination of Table 1 (NO<sub>x</sub> analyzer) and Table 1 (CO analyzer)
- 3-component analyzer (NO<sub>x</sub> analyzer + SO<sub>2</sub> analyzer + CO analyzer);  
Possible range in combination of Table 2 (NO<sub>x</sub> analyzer + SO<sub>2</sub> analyzer) and Table 1 (CO analyzer)
- 3-component analyzer (NO<sub>x</sub> analyzer + SO<sub>2</sub> analyzer + CO<sub>2</sub> analyzer);  
Possible range in combination of Table 2 (NO<sub>x</sub> analyzer + SO<sub>2</sub> analyzer) and Table 1 (CO<sub>2</sub> analyzer)
- 3-component analyzer (NO<sub>x</sub> analyzer + CO<sub>2</sub> analyzer + CO analyzer);  
Possible range in combination of Table 1 (NO<sub>x</sub> analyzer) and Table 3 (CO<sub>2</sub> analyzer + CO analyzer)
- 3-component analyzer (SO<sub>2</sub> analyzer + CO<sub>2</sub> analyzer + CO analyzer);  
Possible range in combination of Table 1 (SO<sub>2</sub> analyzer) and Table 3 (CO<sub>2</sub> analyzer + CO analyzer)
- 3-component analyzer (CH<sub>4</sub> analyzer + CO<sub>2</sub> analyzer + CO analyzer);  
Possible range in combination of Table 1 (CH<sub>4</sub> analyzer) and Table 3 (CO<sub>2</sub> analyzer + CO analyzer)
- 4-component analyzer (NO<sub>x</sub> analyzer + SO<sub>2</sub> analyzer + CO<sub>2</sub> analyzer + CO analyzer);  
Possible range in combination of Table 2 (NO<sub>x</sub> analyzer + SO<sub>2</sub> analyzer) and Table 3 (CO<sub>2</sub> analyzer + CO analyzer)

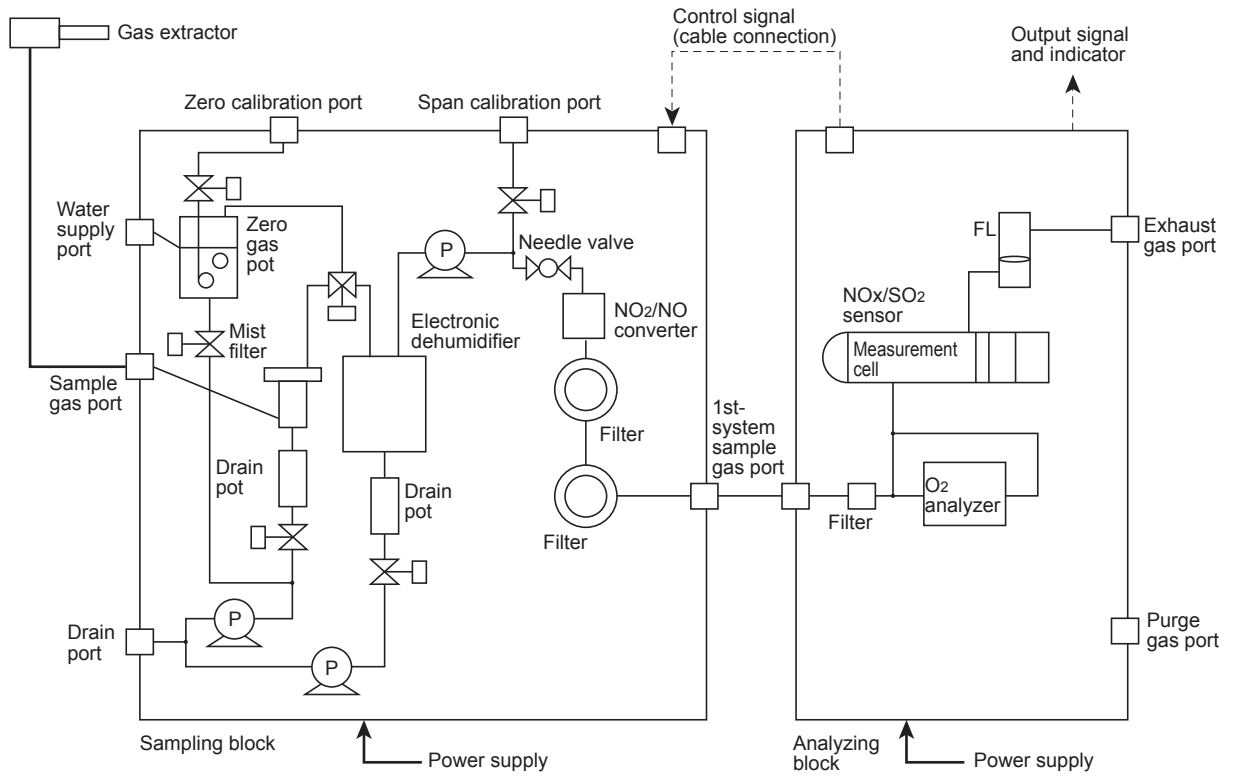
**With 1 optical System (1 to 3 component gas sampling system except for NOx analyzer)**



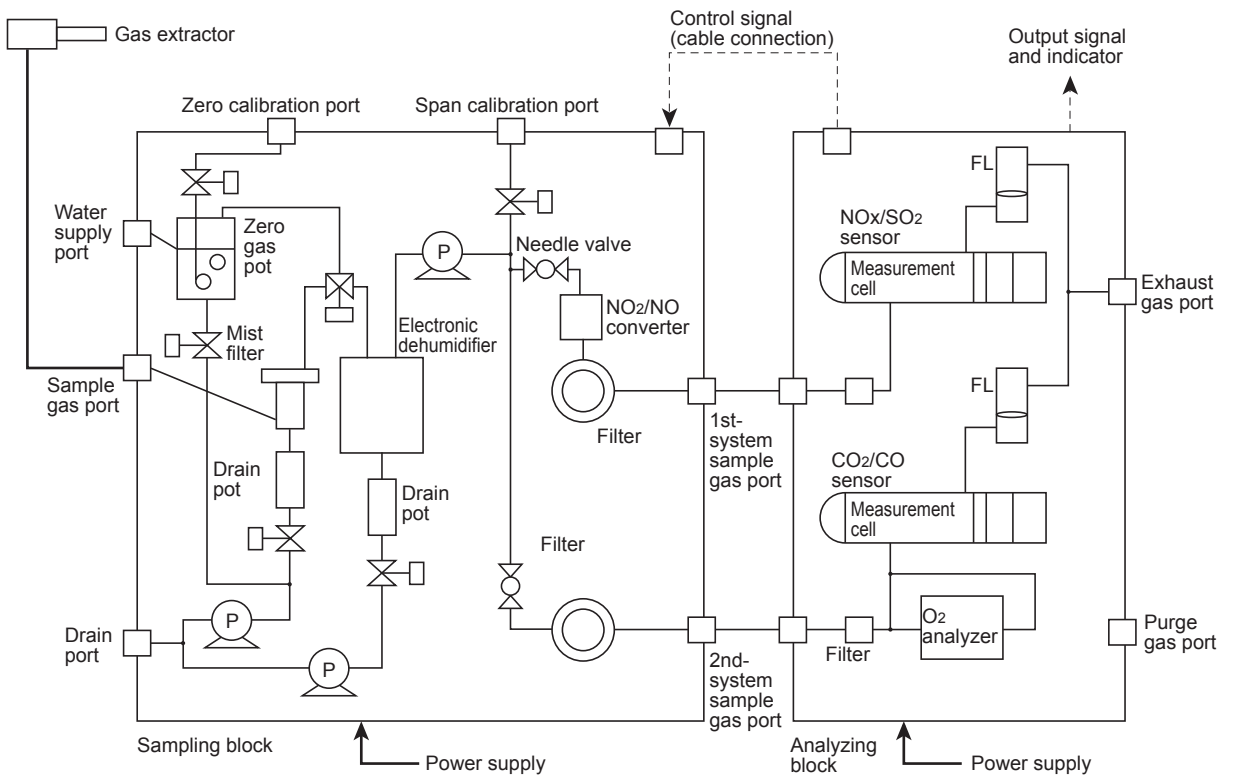
**With 2 optical systems (3 to 4 component gas sampling system except for NOx analyzer)**



**With 1 optical system (1 to 3 component gas sampling system including NOx analyzer)**

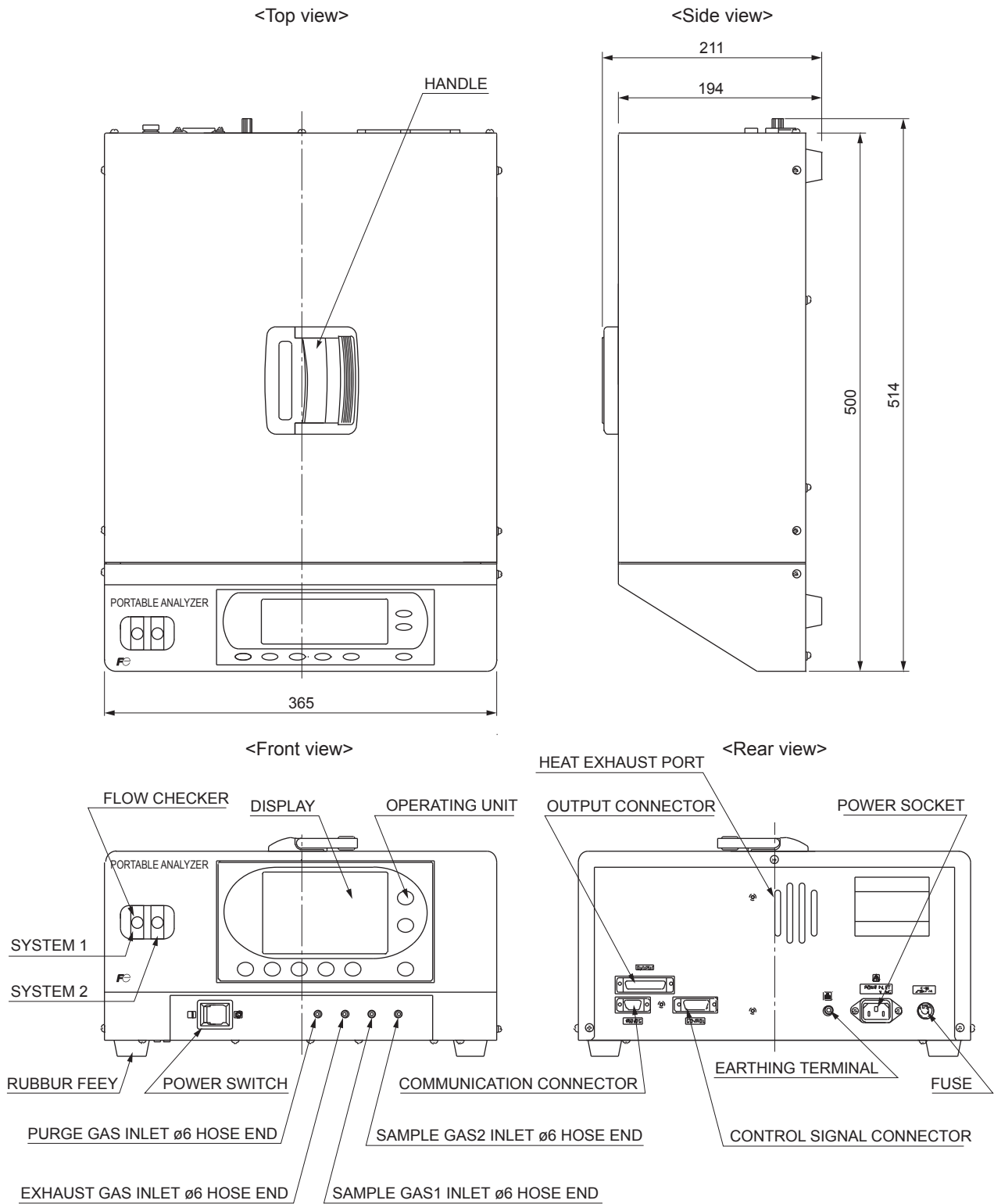


**With 2 optical systems (3 to 5 component gas sampling system including NOx analyzer)**



OUTLINE DIAGRAM (Unit : mm)

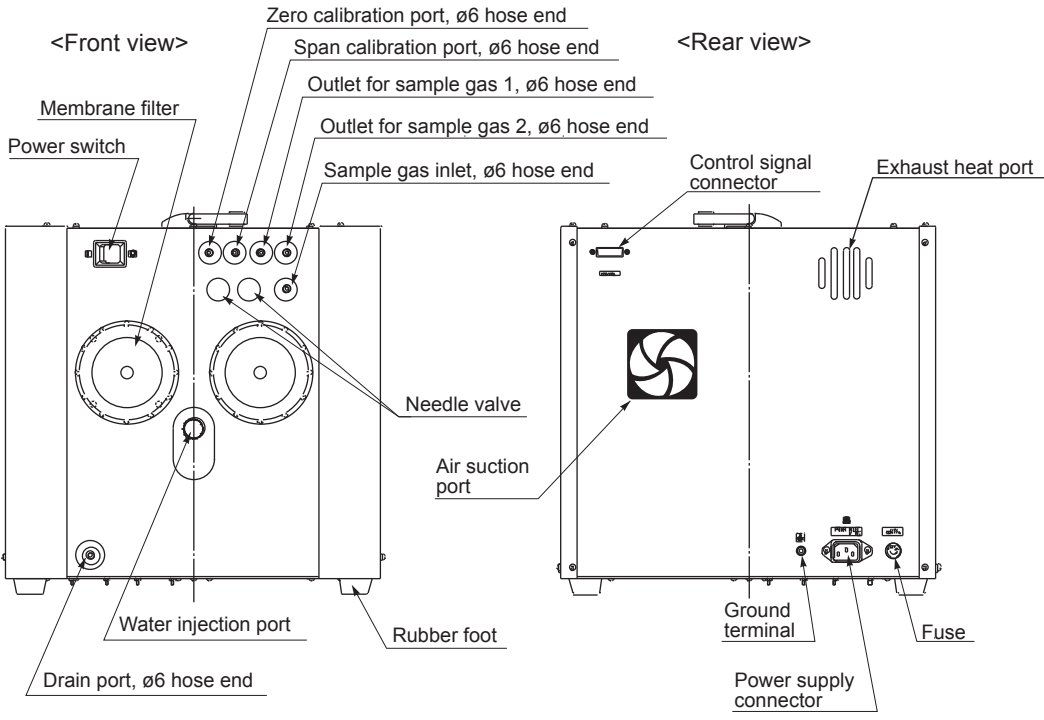
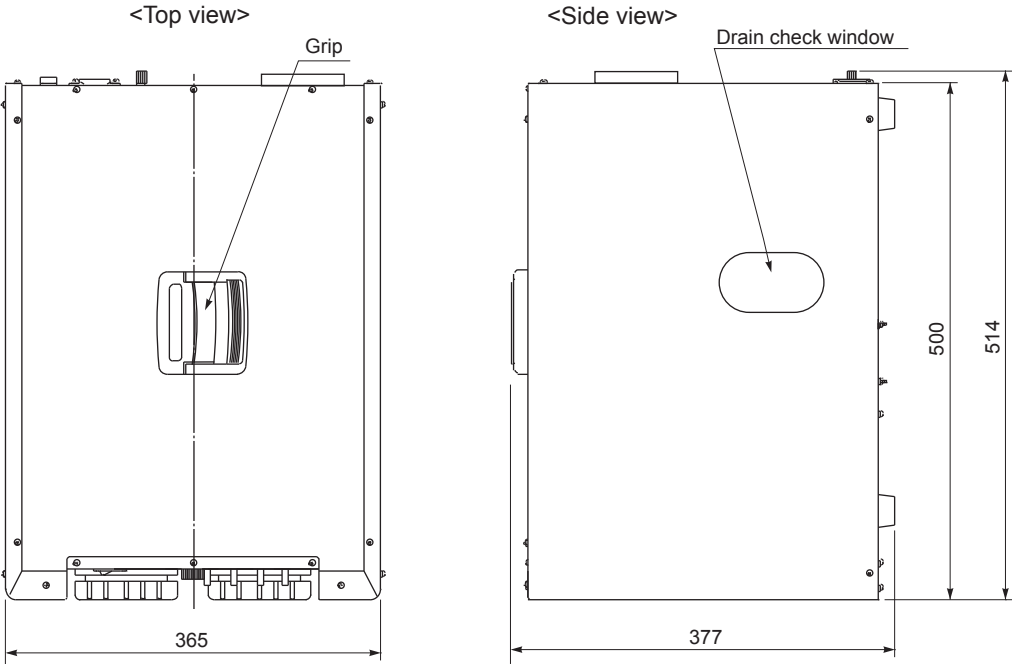
(1) Analyzing block



Weight Approx. 12kg

# OUTLINE DIAGRAM (Unit : mm)

## (2) Sampling block



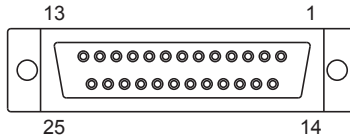
Weight Approx. 18kg

**(3) External connection diagrams**

Caution) Between male (P) and female (S) connectors, pin numbers are different.  
Connect them properly with utmost care.

**<Analyzing block Analog output>**

On the analyzer side, a female connector (DB-25S-T-NR made by Japan Aviation Electronics Industry) is attached.  
For connection, the furnished cables (1 m)(DB-25P) should be used.



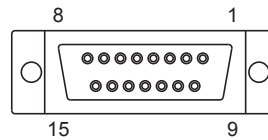
Color of furnished cable	Orange	Red	Brown	Black	White	Gray	Purple	Blue	Green	Yellow	Orange	Red	Brown
Pin name	CH7+	-CH6+	-CH5+	-CH4+	-CH3+	-CH2+	-CH1+						
Pin No.	13	12	11	10	9	8	7	6	5	4	3	2	1

Pin No.	25	24	23	22	21	20	19	18	17	16	15	14
Pin name	NC									-CH8+	-CH7	
Color of furnished cable										Blue	Green	Yellow

**<Analyzing block Control output>**

On the analyzer side, a female connector (DA-15S-T-NR made by Japan Aviation Electronics Industry) is attached.  
For connection, the furnished cables (1 m)(DAU-15P) should be used.



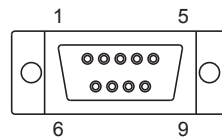
Pin name	SOLENOID VALVE2	SOLENOID VALVE1,6	DRAIN PUMP	SAMPLE PUMP
Pin No.	8	7	6	5

Pin No.	15	14	13	12	11	10	9
Pin name	NC	SOLENOID VALVE5	SOLENOID VALVE4	SOLENOID VALVE3			

**<Analyzing block Communication output>**

On the analyzer side, a male connector (DE-9P-T-NR made by Japan Aviation Electronics Industry) is attached.  
For connection, commercially available cross cables (DE-9S) should be used.



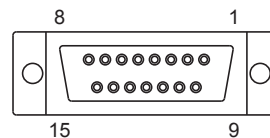
Pin name	NC	RXD	TXD	NC	GND
Pin No.	1	2	3	4	5

Pin No.	6	7	8	9
Pin name	NC	NC	NC	NC

**<Sampling blockControl input>**

On the analyzer side, a female connector (DA-15S-T-NR made by Japan Aviation Electronics Industry) is attached.  
For connection, the furnished cables (1 m)(DAU-15P) should be used.



Pin name	SOLENOID VALVE2	SOLENOID VALVE1,6	DRAIN PUMP	SAMPLE PUMP
Pin No.	8	7	6	5

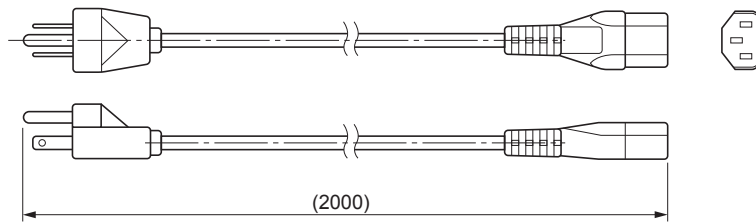
  

Pin No.	15	14	13	12	11	10	9
Pin name	NC	SOLENOID VALVE5	SOLENOID VALVE4	SOLENOID VALVE3			

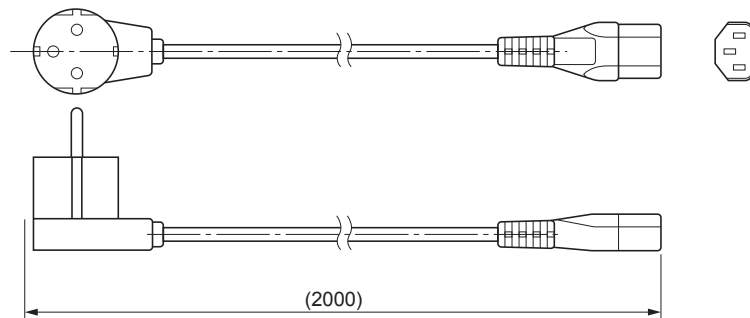
# OUTLINE DIAGRAM (Unit : mm)

## (4) Power cord and signal cable

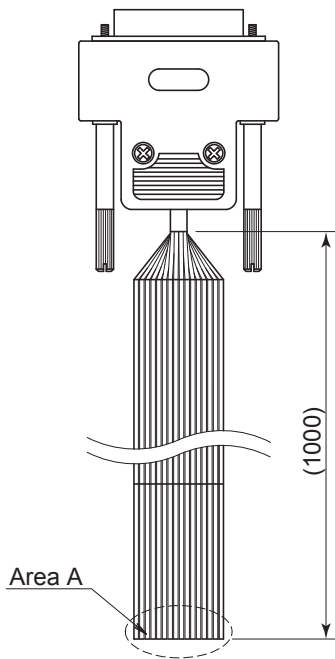
- Power cord for domestic and North American use (North American type), rated voltage 125V AC.  
 Note: The standards for domestic and North American use are different, but the shape is the same.



- Power cord for European use (European type), rated voltage 250 V AC

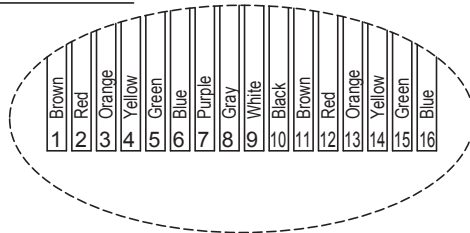


- Output cable

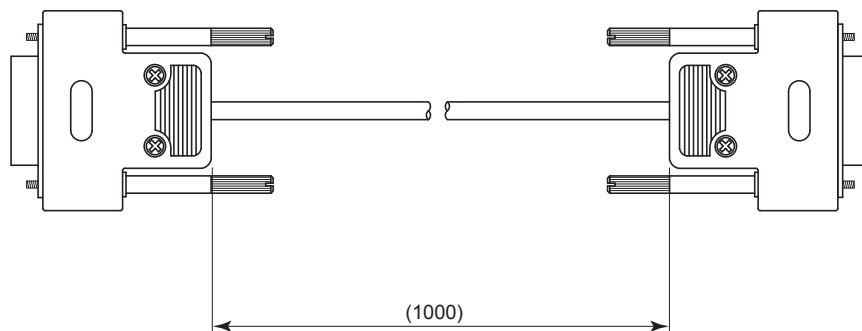


Output channel	+CH1-	+CH2-	+CH3-	+CH4-	+CH5-	+CH6-	+CH7-	+CH8-
Connector	12	3	4	5	6	7	8	9
Cable color	Brown	Red	Orange	Yellow	Green	Blue	Purple	Gray
	10	11	12	13	14	15	16	
	White	Black	Brown	Red	Orange	Yellow	Green	Blue

### Details of area A

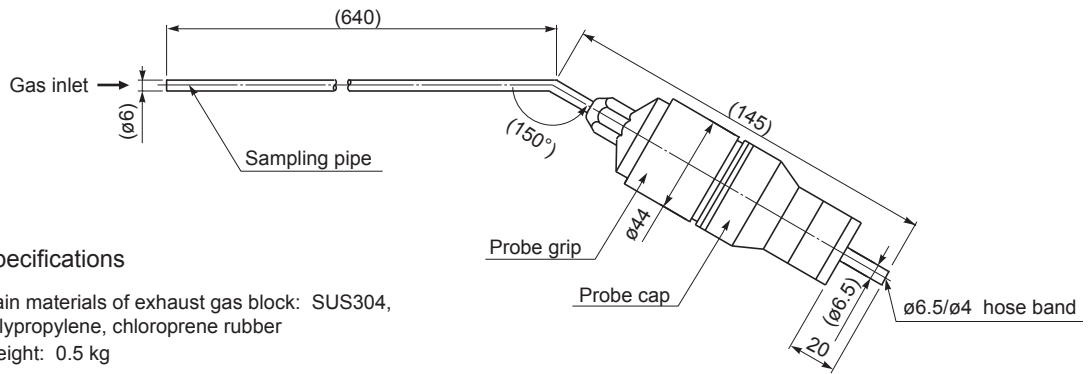


- Control input/output cable



**OUTLINE DIAGRAM (Unit : mm)**

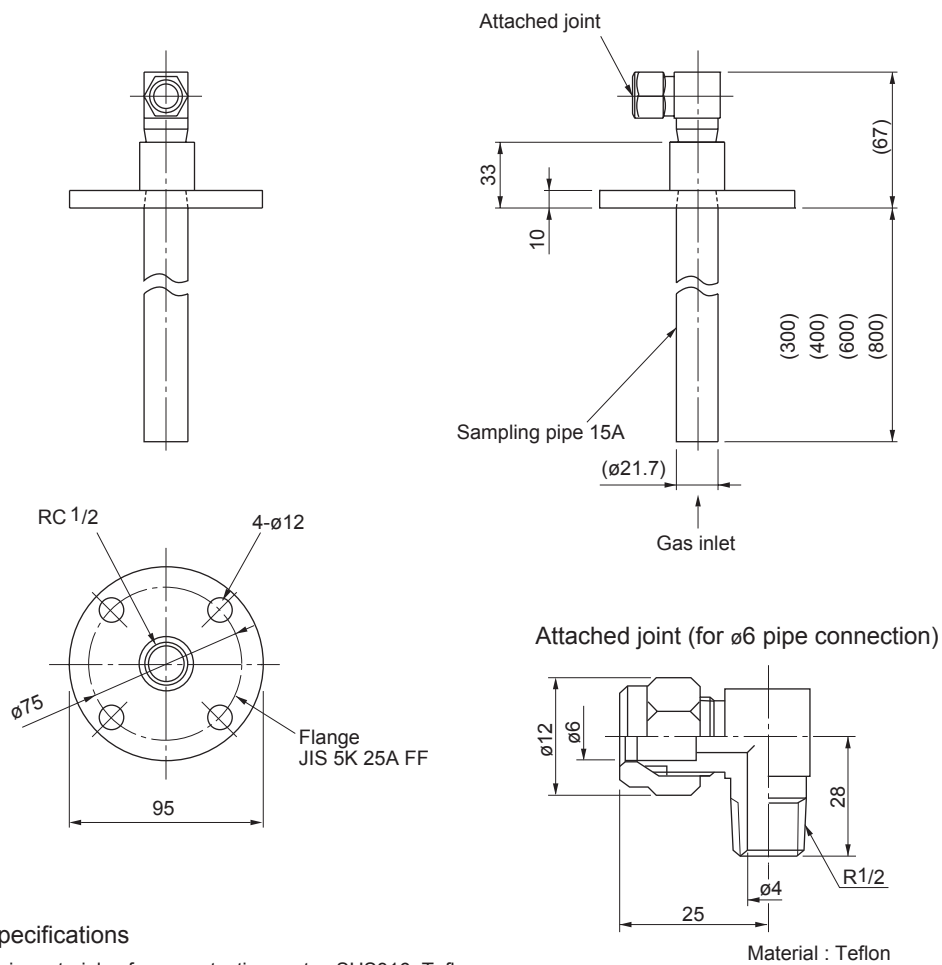
**(5) Non-fixed type gas extractor**



**Specifications**

Main materials of exhaust gas block: SUS304,  
polypropylene, chloroprene rubber  
Weight: 0.5 kg

**(6) Fixed type gas extractor**



**Specifications**

Main materials of gas-contacting parts: SUS316, Teflon  
Weight: 1 kg

⚠ Caution on Safety

\*Before using this product, be sure to read its instruction manual.

**F** Fuji Electric Co., Ltd.

Global Sales Section  
Instrumentation & Sensors Planning Dept.  
1, Fuji-machi, Hino-city, Tokyo 191-8502, Japan  
<http://www.fujielectric.com>  
Phone: +81-42-514-8930 Fax: +81-42-583-8275  
<http://www.fujielectric.com/products/instruments/>